

# BOLT-ON EDGE SYSTEMS FOR CATERPILLAR® LOADERS

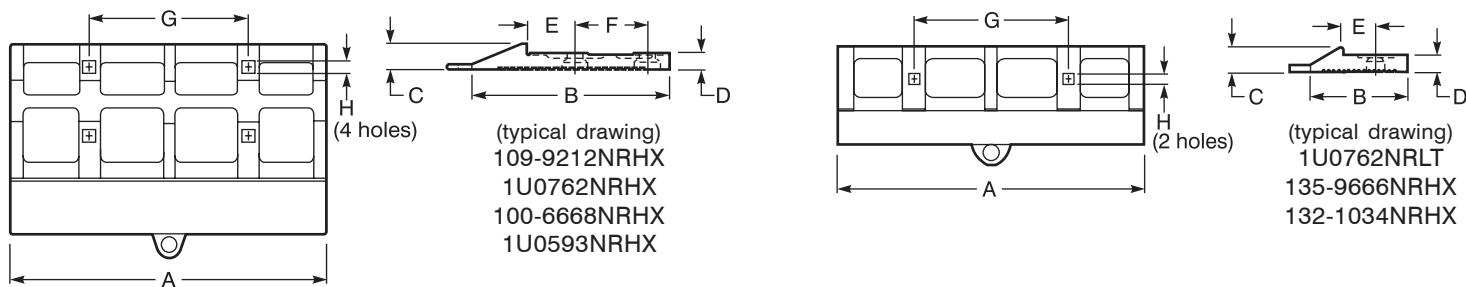


## Currently Available for Loader Models:

950B	962G	966D	970	980C
950E		966E	970F	980D
950F		966F		980E
950G				980F
				980G

- Half-arrow design protects the leading edge and increases penetration.
- Serrated bottom holds packed material extending wear life.
- Cast from the same tough alloy as Hensley teeth, providing hardnesses of 477 thru 532 Brinell.
- Casting design incorporates material relief areas to maximize strength while reducing material throw-away.

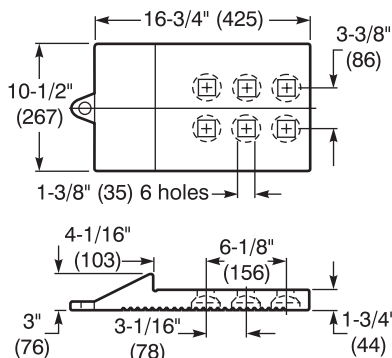
## CENTER SEGMENTS



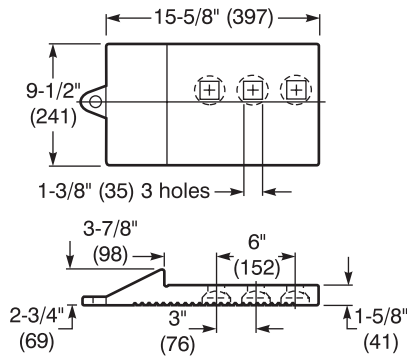
CAT® LOADER MODEL	BUCKET WIDTH	PART NUMBER	NUMBER OF SEGMENTS REQUIRED	A	B	C	D	E	F	G	H	WEIGHT	
												LBS.	KGS.
980F, G	134" (3,406)	109-9212NRHX	3	37 <sup>15</sup> / <sub>16</sub> " (964)	16 <sup>3</sup> / <sub>4</sub> " (425)	3" (76)	1 <sup>3</sup> / <sub>4</sub> " (44)	4 <sup>1</sup> / <sub>16</sub> " (103)	6 <sup>5</sup> / <sub>32</sub> " (156)	19 <sup>1</sup> / <sub>2</sub> " (485)	1 <sup>3</sup> / <sub>8</sub> " (35)	265.0	120.0
980F	130 <sup>3</sup> / <sub>4</sub> " (3,322)	1U0762NRHX	"	36 <sup>3</sup> / <sub>4</sub> " (933)	16 <sup>3</sup> / <sub>4</sub> " (425)	3" (76)	1 <sup>3</sup> / <sub>4</sub> " (44)	4 <sup>1</sup> / <sub>16</sub> " (103)	6 <sup>5</sup> / <sub>32</sub> " (156)	18 <sup>1</sup> / <sub>2</sub> " (470)	1 <sup>3</sup> / <sub>8</sub> " (35)	256.0	116.0
980C	130 <sup>3</sup> / <sub>4</sub> " (3,322)	1U0762NRHX	"	36 <sup>3</sup> / <sub>4</sub> " (933)	16 <sup>3</sup> / <sub>4</sub> " (425)	3" (76)	1 <sup>3</sup> / <sub>4</sub> " (44)	4 <sup>1</sup> / <sub>16</sub> " (103)	6 <sup>5</sup> / <sub>32</sub> " (156)	18 <sup>1</sup> / <sub>2</sub> " (470)	1 <sup>3</sup> / <sub>8</sub> " (35)	256.0	116.0
980C, D, E, F	130 <sup>3</sup> / <sub>4</sub> " (3,322)	1U0762NRLT	"	36 <sup>3</sup> / <sub>4</sub> " (933)	12 <sup>11</sup> / <sub>16</sub> " (322)	3 <sup>1</sup> / <sub>4</sub> " (83)	1 <sup>13</sup> / <sub>16</sub> " (46)	4 <sup>1</sup> / <sub>16</sub> " (103)	N/A	18 <sup>1</sup> / <sub>2</sub> " (470)	1 <sup>3</sup> / <sub>8</sub> " (35)	215.0	97.5
970, 970F	126" (3,200)	100-6668NRHX	"	35 <sup>5</sup> / <sub>8</sub> " (899)	15 <sup>5</sup> / <sub>8</sub> " (397)	2 <sup>3</sup> / <sub>4</sub> " (69)	1 <sup>5</sup> / <sub>8</sub> " (41)	3 <sup>15</sup> / <sub>16</sub> " (100)	5 <sup>15</sup> / <sub>16</sub> " (151)	17 <sup>13</sup> / <sub>16</sub> " (452)	1 <sup>3</sup> / <sub>8</sub> " (35)	200.0	90.7
970, 970F	119 <sup>1</sup> / <sub>2</sub> " (3,035)	1U0593NRHX	"	33 <sup>1</sup> / <sub>2</sub> " (851)	15 <sup>5</sup> / <sub>8</sub> " (397)	2 <sup>3</sup> / <sub>4</sub> " (69)	1 <sup>5</sup> / <sub>8</sub> " (41)	3 <sup>15</sup> / <sub>16</sub> " (100)	5 <sup>15</sup> / <sub>16</sub> " (151)	17 <sup>13</sup> / <sub>16</sub> " (452)	1 <sup>3</sup> / <sub>8</sub> " (35)	180.0	81.6
966D, E, F	119 <sup>1</sup> / <sub>2</sub> " (3,035)	1U0593NRHX	"	33 <sup>1</sup> / <sub>2</sub> " (851)	15 <sup>5</sup> / <sub>8</sub> " (397)	2 <sup>3</sup> / <sub>4</sub> " (69)	1 <sup>5</sup> / <sub>8</sub> " (41)	3 <sup>15</sup> / <sub>16</sub> " (100)	5 <sup>15</sup> / <sub>16</sub> " (151)	17 <sup>13</sup> / <sub>16</sub> " (452)	1 <sup>3</sup> / <sub>8</sub> " (35)	180.0	81.6
962G	115" (2,921)	135-9666NRHX	"	32 <sup>13</sup> / <sub>32</sub> " (823)	9 <sup>3</sup> / <sub>4</sub> " (248)	2 <sup>1</sup> / <sub>4</sub> " (57)	1 <sup>1</sup> / <sub>2</sub> " (38)	3 <sup>3</sup> / <sub>16</sub> " (81)	N/A	16 <sup>5</sup> / <sub>16</sub> " (415)	1 <sup>1</sup> / <sub>16</sub> " (27)	119.0	54.0
950G	115" (2,921)	135-9666NRHX	"	32 <sup>13</sup> / <sub>32</sub> " (823)	9 <sup>3</sup> / <sub>4</sub> " (248)	2 <sup>1</sup> / <sub>4</sub> " (57)	1 <sup>1</sup> / <sub>2</sub> " (38)	3 <sup>3</sup> / <sub>16</sub> " (81)	N/A	16 <sup>5</sup> / <sub>16</sub> " (415)	1 <sup>1</sup> / <sub>16</sub> " (27)	119.0	54.0
950B, E, F	108" (2,743)	132-1034NRHX	"	30 <sup>1</sup> / <sub>4</sub> " (768)	9 <sup>3</sup> / <sub>4</sub> " (248)	2 <sup>1</sup> / <sub>4</sub> " (57)	1 <sup>1</sup> / <sub>2</sub> " (38)	3 <sup>3</sup> / <sub>16</sub> " (81)	N/A	15 <sup>1</sup> / <sub>4</sub> " (387)	1 <sup>1</sup> / <sub>16</sub> " (27)	110.0	49.9

## END SEGMENTS

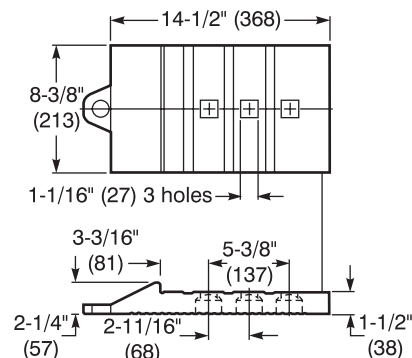
CAT® LOADER MODEL	BUCKET WIDTH	PART NUMBER	NUMBER OF SEGMENTS REQUIRED	WEIGHT	
				LBS	KGS
980F, G	134" (3,406)	1U0761NRHX	2	76.0	34.5
980C, F	130 <sup>3</sup> / <sub>4</sub> " (3,322)	1U0761NRHX	2	76.0	34.5
970, 970F	126" (3,200)	3G6395RNRHX	1	60.0	27.2
		3G6395LNRHX	1	60.0	27.2
970, 970F	119 <sup>1</sup> / <sub>2</sub> " (3,035)	3G6395RNRHX	1	60.0	27.2
		3G6395LNRHX	1	60.0	27.2
966D, E, F	119 <sup>1</sup> / <sub>2</sub> " (3,035)	3G6395RNRHX	1	60.0	27.2
		3G6395LNRHX	1	60.0	27.2
962G	115" (2,921)	132-1033NRHX	2	46.5	21.1
950G	115" (2,921)	132-1033NRHX	2	46.5	21.1
950B, E, F	108" (2,743)	132-1033NRHX	2	46.5	21.1



**1U0761NRHX  
FITS BOTH SIDES**



**3G6395RNRHX (R. HAND SHOWN)  
3G6395LNRHX (L. HAND OPPOSITE)  
RIGHT AND LEFT HAND REQUIRED**



**132-1033NRHX  
FITS BOTH SIDES**

### Hensley Industries, Inc.

2108 Joe Field Road • Dallas, Texas 75229 U.S.A.

#### Customer Service

(888) 406-6262 U.S./Canada  
(972) 406-6262 all other locations

#### Hensley Attachments

A Division of Hensley Industries, Inc.  
800 South Fifth • Mansfield, Texas 76063 U.S.A.  
(800) 433-3144  
(817) 477-3167



[www.hensleyind.com](http://www.hensleyind.com)



### Your Authorized Hensley Dealer

**SAFETY FIRST:** Hensley Industries recommends that you use a soft-faced hammer and ANSI-approved (Z87.1) eye protection while using our products.