



**YOUR QUALITY
LOW-COST ALTERNATIVE**

Hensley offers the Dura[®] line as a quality low-cost alternative to our existing product line. With Direct Replacement Parts available for Cat[®], H&L[®] Komatsu[®] and Hensley Parabolic[®] style products, you'll find the part you need to keep you on the job. You can rely on Hensley's ever expanding Dura[®] line to help you fulfill your need for quality low-cost G.E.T.



**Hensley Parabolic[®]
style**



The latest designs needed in today's tough applications are now available in the Dura[®] line. Hensley offers new U-shaped Twin Tiger and Tiger teeth for better penetration and new Abrasion style teeth for improved wear resistance. Along with our already wide selection of teeth and adapter styles available, Hensley has the right design for your tough application.

H&L® style



Hensley proudly stands behind the strength and quality of the Dura® brand. Hensley offers the same dependable

warranty protection

on our Dura® product against defects as we do for our Genuine

"Blue" products. With the addition of the Dura® line, Hensley is your "One Stop Shop" for all your wear parts needs across a wide range of price points.

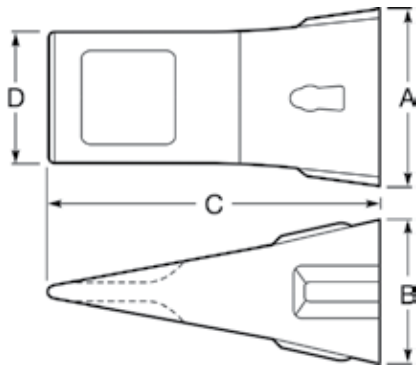
Cat® style



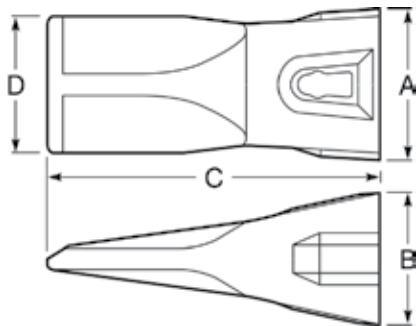
Dura® Benefits

- Offering covers popular DRP's for Cat®, H&L®, Komatsu and Hensley Parabolic® style teeth and adapters
- Product offering includes the latest design shapes
- Abundant inventory in stock
- Competitive pricing
- Same warranty coverage as all Hensley Genuine Products

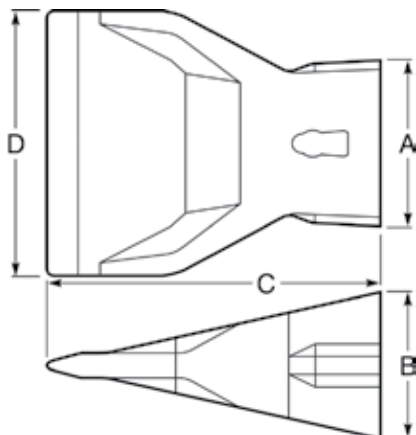
Hensley Parabolic Style Parts



| Part No. | SERIES | DIMENSIONS- inches (mm) | | | | Weight |
|-----------------|--------|-------------------------|----------------|----------------|---------------|-----------------------|
| | | A | B | C | D | |
| STANDARD | | | | | | |
| DX156 | 156 | 2.125 (54) | 2.125 (54) | 4.5 (114) | 1.813 (46) | 1.4 lbs. 0.6 kgs. |
| DX156H | 156 | 2.215 (54) | 2.250 (57) | 5.5 (140) | 2 (51) | 2.6 lbs. 1.1 kgs. |
| DX156L | 156 | 2.188 (55) | 2.250 (57) | 5.125 (130) | 1.937 (49) | 1.7 lbs. 0.8 kgs. |
| DX290 | 290 | 4 (102) | 3.406 (86) | 8 (203) | 3.25 (83) | 8.1 lbs. 3.7 kgs. |
| DX330 | 330 | 4.75 (121) | 4.063 (103) | 9.125 (232) | 3.625 (92) | 12.2 lbs. 5.5 kgs. |

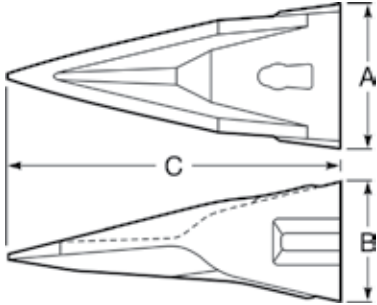


| Part No. | SERIES | DIMENSIONS- inches (mm) | | | | Weight |
|-----------------|--------|-------------------------|----------------|-----------------|----------------|------------------------|
| | | A | B | C | D | |
| SYL | | | | | | |
| DX290SYL | 290 | 4.13 (105) | 3.5 (89) | 8.75 (222) | 3.69 (94) | 8.5 lbs. 3.8 kgs. |
| DX330SYL | 330 | 4.75 (121) | 4.125 (105) | 10 (254) | 4.25 (108) | 13.3 lbs. 6.0 kgs. |
| DX370SYL | 370 | 5.125 (130) | 4.5 (114) | 11.25 (286) | 4.625 (117) | 18.2 lbs. 8.3 kgs. |
| DX400SYL | 400 | 5.250 (133) | 4.125 (105) | 10.75 (273) | 4.875 (124) | 18.3 lbs. 8.3 kgs. |
| DX410SYL | 410 | 5.687 (144) | 5 (127) | 12.5 (317) | 5.125 (130) | 26.3 lbs. 11.9 kgs. |
| DX450SYL | 450 | 6.125 (156) | 5.688 (144) | 13.750 (349) | 5.625 (143) | 34.3 lbs. 15.6 kgs. |
| DX500SYL | 500 | 6.938 (1756) | 6.125 (156) | 15.5 (394) | 6 (152) | 50.0 lbs. 22.7 kgs. |

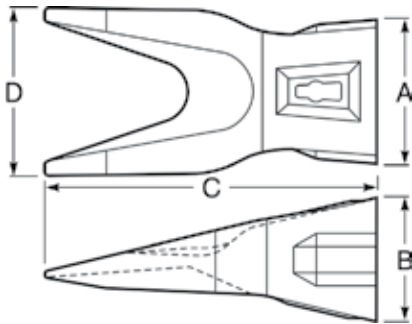


| Part No. | SERIES | DIMENSIONS- inches (mm) | | | | Weight |
|---------------|--------|-------------------------|----------------|-----------------|----------------|------------------------|
| | | A | B | C | D | |
| FLARE | | | | | | |
| DX220F | 220 | 3.375 (86) | 3 (76) | 7 (178) | 4.5 (114) | 7.5 lbs. 3.4 kgs. |
| DX290F | 290 | 4.063 (103) | 3.5 (89) | 8 (203) | 6.250 (159) | 10.9 lbs. 4.9 kgs. |
| DX330F | 330 | 4.75 (121) | 4.125 (105) | 9.625 (244) | 7.25 (184) | 17.8 lbs. 8.1 kgs. |
| DX400F | 400 | 5.25 (133) | 4.125 (105) | 10.25 (260) | 8 (203) | 22.6 lbs. 10.3 kgs. |
| DX410F | 410 | 5.688 (144) | 5.062 (129) | 11.375 (289) | 9 (229) | 34.5 lbs. 15.7 kgs. |

Hensley Parabolic Style Parts

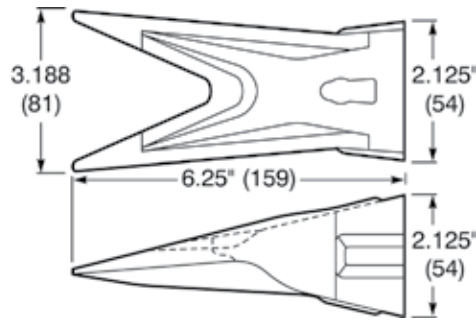


| Part No. | SERIES | DIMENSIONS- inches (mm) | | | | Weight |
|---------------|--------|-------------------------|----------------|-----------------|-----|------------------------|
| | | A | B | C | D | |
| TIGER | | | | | | |
| DT156 | 156 | 2.094 (53) | 2.218 (56) | 5.875 (149) | N/A | 1.9 lbs. 0.9 kgs. |
| DT156L | 156 | 2.125 (54) | 2.218 (56) | 6.250 (159) | N/A | 1.8 lbs. 0.8 kgs. |
| DT220L | 220 | 3.375 (86) | 3 (76) | 8.375 (213) | N/A | 6.0 lbs. 2.7 kgs. |
| DT290 | 290 | 4.125 (105) | 3.469 (88) | 9.625 (244) | N/A | 8.1 lbs. 3.7 kgs. |
| DT330 | 330 | 4.75 (121) | 4.125 (105) | 11 (279) | N/A | 12.2 lbs. 5.5 kgs. |
| DT370 | 370 | 5.125 (130) | 4.5 (114) | 12 (305) | N/A | 15.9 lbs. 7.2 kgs. |
| DT400L | 400 | 5.25 (133) | 4.125 (105) | 12.25 (311) | N/A | 17.4 lbs. 7.9 kgs. |
| DT410 | 410 | 5.688 (144) | 5 (127) | 13.375 (340) | N/A | 23.5 lbs. 10.7 kgs. |
| DT450 | 450 | 6.125 (155) | 5.688 (144) | 15 (381) | N/A | 31.3 lbs. 14.2 kgs. |
| DT500 | 500 | 6.938 (176) | 6.125 (155) | 16.375 (416) | N/A | 39.4 lbs. 17.9 kgs. |

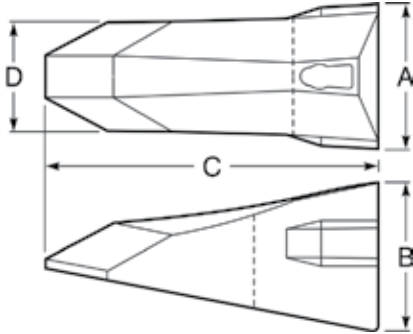


| Part No. | SERIES | DIMENSIONS- inches (mm) | | | | Weight |
|-----------------|--------|-------------------------|----------------|-----------------|----------------|------------------------|
| | | A | B | C | D | |
| UT TIGER | | | | | | |
| DX156UT | 156 | 2.094 (53) | 2.188 (56) | 6.250 (159) | 3.313 (84) | 2.5 lbs. 1.1 kgs. |
| DX220UT | 220 | 3.375 (86) | 3 (76) | 8.375 (213) | 4.313 (109) | 7.5 lbs. 3.4 kgs. |
| DX290UT | 290 | 4.125 (105) | 3.469 (88) | 9.625 (244) | 4.875 (124) | 10.1 lbs. 4.6 kgs. |
| DX330UT | 330 | 4.750 (121) | 4.125 (105) | 11 (279) | 5.563 (141) | 14.4 lbs. 6.5 kgs. |
| DX370UT | 370 | 5.125 (130) | 4.5 (114) | 12 (305) | 6.313 (160) | 21.5 lbs. 9.8 kgs. |
| DX400UT | 400 | 5.25 (133) | 4.125 (105) | 12.250 (311) | 6.5 (165) | 21.9 lbs. 9.9 kgs. |
| DX410UT | 410 | 5.688 (144) | 5 (127) | 13.375 (340) | 7 (178) | 30.3 lbs. 13.7 kgs. |
| DX450UT | 450 | 6.125 (156) | 5.688 (144) | 15 (381) | 7.438 (189) | 36.6 lbs. 16.6 kgs. |
| DX500UT | 500 | 6.938 (176) | 6.125 (156) | 16.375 (416) | 8.313 (211) | 50.0 lbs. 22.7 kgs. |

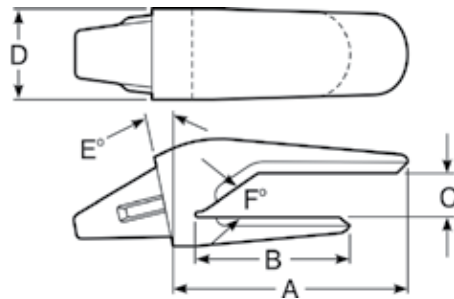
Hensley Parabolic Style Parts



DX156WTL
2.1 lbs. / 0.9 kgs.

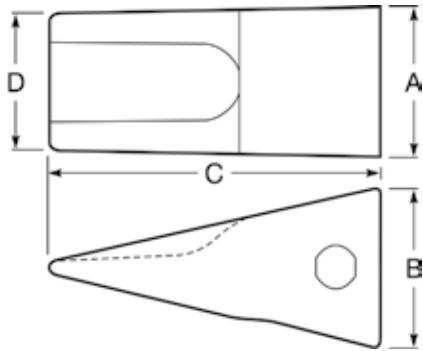


| Part No. | SERIES | DIMENSIONS- inches (mm) | | | | Weight |
|--------------------------|--------|-------------------------|----------------|-----------------|-----------------|-------------------------|
| | | A | B | C | D | |
| LOADER PENETRATOR | | | | | | |
| DX410RP3 | 410 | 5.375 (146) | 6.063 (154) | 13.125 (333) | 4.3125 (109) | 42.2 lbs. 19.15 kgs. |
| DX450RP2 | 450 | 6.125 (156) | 6.25 (159) | 13.25 (336) | 4.75 (121) | 43.7 lbs. 19.83 kgs. |
| DX500RP3 | 500 | 6.938 (176) | 7.438 (189) | 16.125 (410) | 5.250 (133) | 80.0 lbs. 36.3 kgs. |



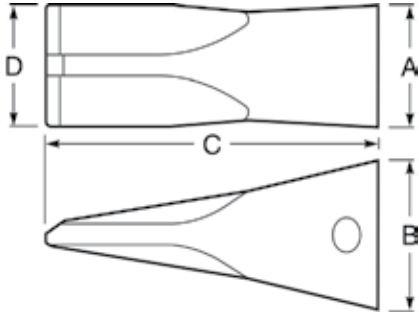
| Lip Thickness | Part No. | SERIES | DIMENSIONS- inches (mm) | | | | | | Weight |
|-----------------------------|-----------------|--------|-------------------------|----------------|---------------|----------------|-----|-----|------------------------|
| | | | A | B | C | D | E | F | |
| WRAP-AROUND ADAPTERS | | | | | | | | | |
| .625 (17) | D230X156 | 156 | 4.875 (124) | 1.75 (44) | .6875 (17) | 2.063 (52) | 15° | 30° | 3.4 lbs. 1.5 kgs. |
| .75 (21) | D552X156 | 156 | 5.5 (140) | 3.5 (89) | .813 (21) | 2.25 (57) | 15° | 30° | 5.4 lbs. 2.4 kgs. |
| 1 (25) | D550X156 | 156 | 6.25 (159) | 2.75 (70) | 1.125 (29) | 2.125 (56) | 13° | 26° | 4.7 lbs. 2.1 kgs. |
| 1.25 (32) | D109X220 | 220 | 8.25 (210) | 5.25 (133) | 1.313 (33) | 3 (76) | 15° | 30° | 15.5 lbs. 7. kgs. |
| 1.25 (32) | D127X290 | 290 | 10.0 (254) | 4.75 (121) | 1.313 (33) | 3.625 (92) | 12° | 30° | 21.5 lbs. 9.8 kgs. |
| 1.5 (38) | D158X290 | 290 | 9.5 (241) | 6.438 (163) | 1.531 (39) | 3.625 (92) | 12° | 30° | 21.5 lbs. 9.8 kgs. |
| 1.5 (38) | D158X330 | 330 | 10.25 (260) | 6.75 (171) | 1.578 (40) | 4.25 (108) | 15° | 30° | 34.3 lbs. 15.6 kgs. |
| 2 (50) | D802X400 | 400 | 12.219 (310) | 6 (152) | 2.094 (53) | 5.125 (130) | 15° | 30° | 50.3 lbs. 22.8 kgs. |
| 2 (50) | D940X410 | 410 | 12 (305) | 5.250 (133) | 2.125 (54) | 5.125 (130) | 12° | 30° | 45.4 lbs. 20.6 kgs. |

Caterpillar® Style Parts

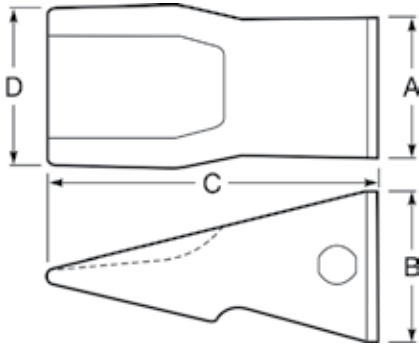


| Part No. | Family | DIMENSIONS- inches (mm) | | | | Weight |
|-----------------|--------|-------------------------|----------------|-----------------|----------------|------------------------|
| | | A | B | C | D | |
| STANDARD | | | | | | |
| D1U3202 | J200 | 2.5 (57) | 2.375 (60) | 5.75 (146) | 2 (51) | 2.8 lbs. 1.3 kgs. |
| D6Y3222 | J225 | 2.594 (66) | 3.187 (81) | 6.625 (168) | 2.25 (57) | 4.6 lbs. 2.1 kgs. |
| D1U3252 | J250 | 2.875 (73) | 3.75 (82) | 7.5 (191) | 2.562 (65) | 6.4 lbs. 2.9 kgs. |
| D9N4252 | J250 | 3 (76) | 3.5 (89) | 7.875 (200) | 2.437 (61) | 8.4 lbs. 3.8 kgs. |
| D1U3302 | J300 | 3.313 (84) | 4 (102) | 8.563 (217) | 3 (76) | 9.8 lbs. 4.4 kgs. |
| DN94302 | J300 | 3.437 (87) | 4.187 (106) | 8.75 (222) | 2.75 (70) | 12.3 lbs. 5.58 |
| D1U3351 | J350 | 4.375 (111) | 4 (102) | 8.125 (206) | 3.5 (89) | 12.3 lbs. 5.58 |
| D1U3352 | J350 | 4 (102) | 4.375 (111) | 9.5 (241) | 3.625 (92) | 13.5 lbs. 6.1 kgs. |
| D9N4352 | J350 | 4 (102) | 4.4.7 (113) | 9.875 (251) | 3.5 (89) | 18.0 lbs. 8.2 kgs. |
| D7T3402 | J400 | 4.687 (119) | 5 (127) | 10.5 (267) | 4.25 (108) | 22.9 lbs. 10.4 kgs. |
| D8E4402 | J400 | 4.687 (119) | 5 (127) | 11 (279) | 4 (102) | 24.8 lbs. 11.3 kgs. |
| D9W8452 | J450 | 5 (127) | 4.813 (122) | 11.375 (289) | 4.5 (114) | 25.5 lbs. 11.6 kgs. |
| D9N4452 | J450 | 5.187 (132) | 5.375 (137) | 12.5 (317) | 4.5 (114) | 37.6 lbs. 17.1 kgs. |
| D9W8552 | J550 | 6.062 (154) | 5.75 (146) | 13.187 (335) | 5.625 (143) | 37.9 lbs. 17.2 kgs. |
| D9N4552 | J550 | 6.25 (159) | 6.125 (156) | 13.75 (394) | 5.75 (146) | 61.0 lbs. 27.7 kgs. |
| D6I6602 | J600 | 7.75 (197) | 7.25 (184) | 15 (381) | 6.5 (165) | 72.0 lbs. 32.7 kgs. |
| D4T4702 | J700 | 7.875 (200) | 8.375 (213) | 16.5 (419) | 7.125 (181) | 95.0 lbs. 43.1 kgs. |

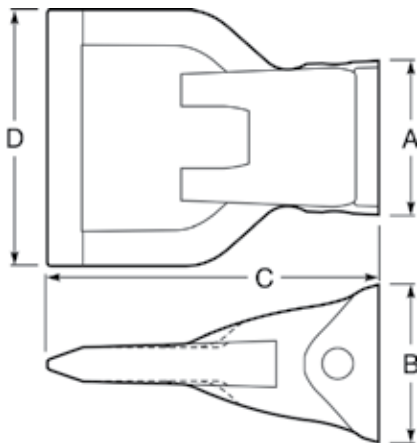
Caterpillar® Style Parts



| Part No. | Family | DIMENSIONS- inches (mm) | | | | Weight |
|-------------------|--------|-------------------------|------------------|-------------------|------------------|----------------------|
| | | A | B | C | D | |
| SYL | | | | | | |
| D1U3302SYL | J300 | 3.44 (87.33) | 4.19 (106.37) | 9.25 (234.95) | 3.44 (87.32) | 11.8 lb. 5.4 kg. |
| D1U3352SYL | J350 | 4 (101.6) | 4.44 (112.72) | 10.5 (266.7) | 4 (101.6) | 16.1 lb. 7.3 kg. |
| D7T3402SYL | J400 | 4.69 (119.08) | 5.09 (129.39) | 11.75 (298.45) | 4.69 (119.08) | 30.1 lb. 13.7 kg. |
| D9W8452SYL | J460 | 5.19 (131.77) | 5.37 (136.52) | 12.75 (323.85) | 5.12 (384.17) | 31.9 lb. 14.5 kg. |
| D9W8552SYL | J550 | 6.25 (158.75) | 6.12 (155.57) | 14.5 (368.30) | 6 (152.40) | 47.3 lb. 21.5 kg. |

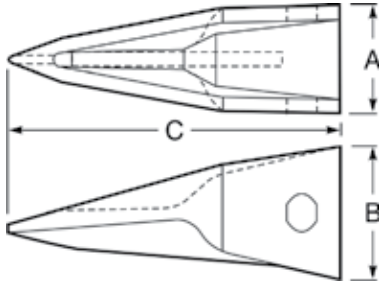


| Part No. | Family | DIMENSIONS- inches (mm) | | | | Weight |
|-----------------|--------|-------------------------|----------------|-----------------|----------------|-------------------------|
| | | A | B | C | D | |
| ABRASION | | | | | | |
| D4T2203 | J200 | 2.25 (57) | 2.563 (65) | 5.75 (146) | 2.375 (60) | 2.9 lbs. 1.3 kgs. |
| D9N4453 | J450 | 5.25 (133) | 5.656 (144) | 12.25 (311) | 6.375 (162) | 48.8 lbs. 22.1 |
| D6Y2553 | J550 | 6.25 (159) | 6.219 (158) | 14 (356) | 7.5 (191) | 63.8 lbs. 28.9 kgs. |
| D4T4703 | J700 | 7.875 (200) | 8 (203) | 16.375 (416) | 9.375 (238) | 104.0 lbs. 47.2 kgs. |

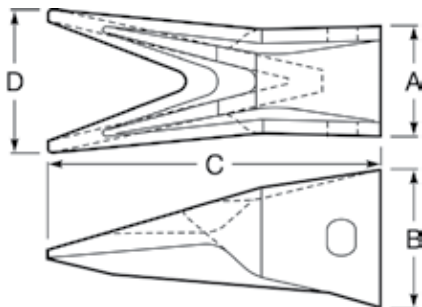


| Part No. | Family | DIMENSIONS- inches (mm) | | | | Weight |
|---------------------------------|--------|-------------------------|---------------|----------------|---------------|----------------------|
| | | A | B | C | D | |
| HEAVY FLARE | | | | | | |
| D1U3202FH (109-9200) | J200 | 2.37 (30) | 2.69 (68) | 5.75 (146) | 3.75 (95) | 3.6 lb. 1.6 kg. |
| D6Y3222FH (186-3010) | J220 | 2.69 (68) | 3.281 (83) | 6.75 (171) | 4.5 (114) | 6.0 lb. 2.7 kg. |
| D3G8250FH (208-5254) | J250 | 3.19 (81) | 3.75 (95) | 7.87 (200) | 5 (127) | 9.5 lb. 4.3 kg. |
| D4T1300FH (107-3300) | J300 | 3.69 (94) | 4.25 (108) | 8.75 (222) | 6 (152) | 14.3 lb. 6.5 kg. |
| D8J3350FH (107-3350) | J350 | 4.31 (110) | 4.62 (117) | 9.75 (248) | 7 (178) | 20.0 lb. 9.1 kg. |
| D7T3402FH (107-3400) | J400 | 4.72 (120) | 5.25 (133) | 11 (279) | 8.25 (209) | 21.0 lb. 9.5 kg. |
| D8J1450FH (107-3450) | J450 | 5.344 (136) | 5.56 (141) | 11.75 (298) | 9 (229) | 36.5 lb. 16.6 kg. |
| D7J9550FH (107-3550) | J550 | 6.5 (165) | 6.37 (162) | 13.5 (343) | 11 (279) | 58.0 lb. 26.3 kg. |

Caterpillar® Style Parts

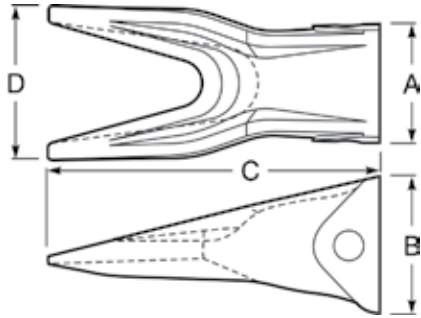


| Part No. | Family | DIMENSIONS- inches (mm) | | | | Weight |
|------------------|--------|-------------------------|----------------|-----------------|-----|------------------------|
| | | A | B | C | D | |
| TIGER | | | | | | |
| DT1U3202 | J200 | 2.25 (57) | 2.375 (60) | 6.5 (165) | N/A | 2.4 lbs. 1.1 kgs. |
| DT6Y3222L | J225 | 2.719 (69) | 3.188 (81) | 7.875 (200) | N/A | 4.7 lbs. 2.13kgs. |
| DT6Y3222L | J250 | 3.188 (81) | 3.75 (95) | 8.5 (216) | N/A | 5.7 lbs. 2.6 kgs. |
| DT1U3252 | J250 | 2.875 (73) | 3.313 (84) | 8 (203) | N/A | 6.2 lbs. 2.8 kgs. |
| DT1U3302L | J300 | 3.25 (83) | 3.75 (95) | 9.5 (241) | N/A | 9.3 lbs. 4.2 kgs. |
| DT1U3352L | J350 | 4 (102) | 4.313 (110) | 11.25 (286) | N/A | 13.2 lbs. 6.0 kgs. |
| DT7T3402 | J400 | 4.687 (119) | 5.094 (129) | 12.5 (318) | N/A | 21.2 lbs. 9.6 kgs. |
| DT1U3452L | J450 | 5.25 (133) | 5.375 (137) | 14.063 (357) | N/A | 28.7 lbs. 13.0 kgs. |
| DT1U3552L | J550 | 6.125 (156) | 5.75 (146) | 15 (381) | N/A | 35.9 lbs. 16.3 kgs. |
| DT6I6602 | J600 | 7.75 (197) | 7.25 (184) | 18 (457) | N/A | 68.0 lbs. 30.8 kgs. |

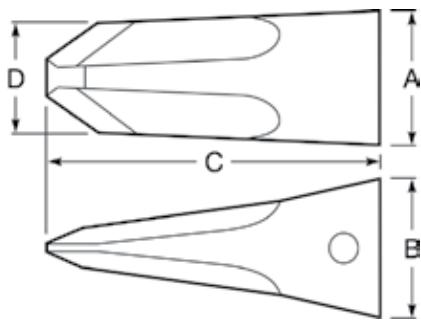


| Part No. | Family | DIMENSIONS- inches (mm) | | | | Weight |
|---------------------------|--------|-------------------------|----------------|-----------------|----------------|------------------------|
| | | A | B | C | D | |
| REGULAR TWIN TIGER | | | | | | |
| D1U3202WT | J200 | 2.25 (57) | 2.375 (60) | 6.5 (165) | 3 (76) | 3 lbs. 1.4 kgs. |
| D1U3252WT | J250 | 2.875 (73) | 3.313 (84) | 8 (203) | 3.5 (89) | 7.5 lbs. 3.4 kgs. |
| D1U3302WTL | J300 | 4.437 (113) | 1.187 (106) | 9.5 (241) | 4.156 (106) | 10.7 lbs. 4.8 kgs. |
| D1U3352WTL | J350 | 4 (102) | 4.375 (111) | 10.5 (267) | 4.75 (121) | 15.7 lbs. 7.1 kgs. |
| D1U3352WTL | J350 | 4 (102) | 4.313 (110) | 11.25 (286) | 4.75 (121) | 14.2 lbs. 6.4 kgs. |
| D7T3402WT | J400 | 4.687 (119) | 5.094 (129) | 12.5 (318) | 5.563 (141) | 23.8 lbs. 10.8 kgs. |
| D1U3452WTL | J450 | 5.25 (133) | 5.375 (137) | 14.063 (357) | 6.219 (158) | 31.7 lbs. 14.4 kgs. |
| D1U3552WTL | J550 | 6.125 (156) | 5.75 (146) | 15 (381) | 7.25 (184) | 40.1 lbs. 18.2 kgs. |

Caterpillar® Style Parts

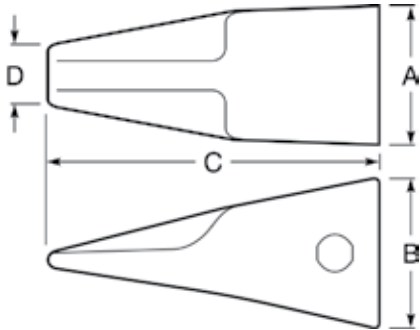


| Part No. | Family | DIMENSIONS- inches (mm) | | | | Weight |
|----------------------|--------|-------------------------|---------------|----------------|---------------|----------------------|
| | | A | B | C | D | |
| UT TWIN TIGER | | | | | | |
| D6Y3222UT | J225 | 2.972 (71) | 3.375 (86) | 7.875 (200) | 3.706 (94) | 5.7 lbs. 2.6 kgs. |
| D1U3252UT | J250 | 3.25 (82) | 3.75 (95) | 8.5 (216) | 4.19 (106) | 8.5 lb. 3.8 kg. |
| D1U3302UT | J300 | 6.69 (94) | 4.25 (108) | 10.12 (257) | 4.75 (121) | 12.0 lb. 5.4 kg. |
| D1U3352UT | J350 | 4.31 (109) | 4.62 (117) | 11.25 (286) | 5.56 (141) | 16.8 lb. 7.6 kg. |
| D7T3402UT | J400 | 4.72 (120) | 5.25 (133) | 12.5 (317) | 6.12 (156) | 23.0 lb. 10.4 kg. |
| D1U3452UT | J450 | 5.34 (136) | 5.56 (141) | 14.06 (357) | 6.87 (175) | 32.5 lb. 14.7 kg. |
| D1U3552UT | J550 | 6.5 (165) | 6.37 (162) | 15 (381) | 8.25 (209) | 50.0 lb. 22.7 kg. |
| D6I6602UT | J600 | 7.781 (198) | 7.62 (194) | 18 (457) | 9.87 (251) | 85.0 lb. 38.6 kg. |

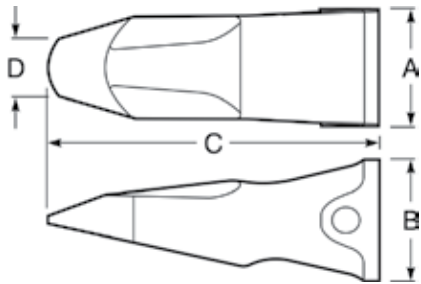


| Part No. | Family | DIMENSIONS- inches (mm) | | | | Weight |
|--------------------|--------|-------------------------|---------------|----------------|----------------|------------------------|
| | | A | B | C | D | |
| ROCK CHISEL | | | | | | |
| D1U3302RC | J300 | 3.44 (341) | 4.19 (106) | 9.75 (248) | 2.87 (73) | 11.9 lb. 5.4 kg. |
| D1U3352RC | J350 | 4 (102) | 4.44 (113) | 11 (279) | 3.62 (92) | 20.6 lb. 9.3 kg. |
| D7T3402RC | J400 | 4.69 (119) | 5.09 (129) | 12.12 (308) | 3.87 (98) | 26.4 lb. 12.0 kg. |
| D1U3452RC | J460 | 5.19 (132) | 5.37 (136) | 13 (330) | 4.25 (108) | 31.2 lb. 14.2 kg. |
| D1U3552RC | J550 | 6.25 (159) | 6.12 (156) | 15 (381) | 5.125 (130) | 55.9 lb. 25.4 kg. |
| D6I6602RC | J600 | 7.81 (199) | 7.06 (180) | 17.44 (443) | 6.91 (176) | 83.0 lbs. 37.7 kgs. |
| D4T4702RC | J700 | 7.87 (200) | 8.13 (206) | 19 (483) | 7.47 (190) | 110 lbs. 49.9 kgs. |

Caterpillar® Style Parts

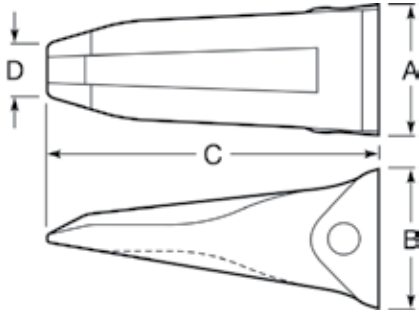


| Part No. | Family | DIMENSIONS- inches (mm) | | | | Weight |
|-------------------|--------|-------------------------|----------------|-----------------|-------------|------------------------|
| | | A | B | C | D | |
| PENETRATOR | | | | | | |
| D9J4309T | J300 | 3.563 (90) | 3.813 (97) | 8.5 (216) | 1.5 (38) | 8.6 lbs. 3.9 kgs. |
| D9J4359T | J350 | 3.875 (98) | 4.25 (108) | 9.875 (251) | 8 (51) | 12.3 lbs. 5.58 kgs. |
| D9W8459 | J450 | 8 (127) | 5.125 (130) | 11.625 (295) | 8 (51) | 22.0 lbs. 9.98 kgs. |

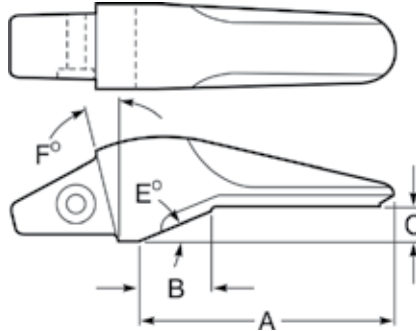


| Part No. | Family | DIMENSIONS- inches (mm) | | | | Weight |
|--------------------------|--------|-------------------------|----------------|----------------|---------------|-----------------------|
| | | A | B | C | D | |
| LOADER PENETRATOR | | | | | | |
| D1U3252PT2 | J250 | 3.25 (79) | 3.87 (98) | 9.5 (241) | 1.47 (37) | 11.8 lb. 5.3 kg. |
| D1U3302PT2 | J300 | 3.68 (93) | 4.27 (108) | 10.28 (261) | 1.81 (46) | 16.2 lb. 7.3 kg. |
| D1U3352PT2 | J350 | 4.25 (108) | 4.66 (118) | 11.81 (300) | 2.04 (52) | 24.2 lb. 11.0 kg. |
| D7T3402PT2 | J400 | 4.80 (122) | 5.12 (130) | 13.15 (334) | 2.36 (60) | 31.5 lb. 14.3 kg. |
| D9W8452PT2 | J460 | 5.27 (134) | 5.47 (139) | 14 (356) | 2.60 (66) | 41.2 lb. 18.7 kg. |
| D9W8552PT2 | J550 | 6.48 (164) | 6.48 (164) | 15.20 (386) | 2.83 (72) | 58.0 lb. 26.3 kg. |
| D1359600 | J600 | 7.75 (197) | 7.250 (184) | 17.61 (447) | 6.69 (170) | 119 lbs. 54.0 kgs. |
| D6I6602PT2 | J600 | 7.44 (189) | 7.06 (180) | 17.75 (451) | 3.69 (94) | 99.0 lb. 44.9 kg |
| D4T4703PT2 | J700 | 7.63 (193) | 7.72 (196) | 19.5 (495) | 3.56 (90) | 134.2 lb. 60.9 kg. |
| D4T4703PT3 | J700 | 7.63 (193) | 7.72 (196) | 20.0 (508) | 3.56 (90) | 150.0 lb 68.1 kg. |

Caterpillar® Style Parts

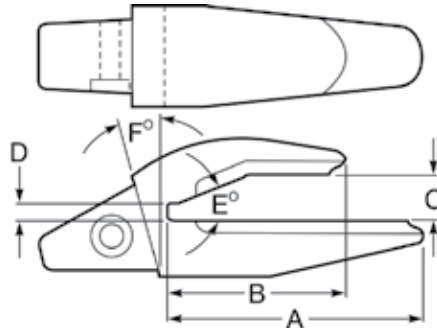


| Part No. | Family | DIMENSIONS- inches (mm) | | | | Weight |
|-----------------------------------|--------|-------------------------|---------------|-----------------|---------------|-------------------------|
| | | A | B | C | D | |
| HEAVY EXCAVATOR PENETRATOR | | | | | | |
| D6Y3222HP | J225 | 2.78 (71) | 3.375 (86) | 7.625 (194) | 1.182 (30) | 5.4 lbs. 2.4 kgs. |
| D1U3252HP | J250 | 3.19 (81) | 3.75 (95) | 8.5 (216) | 1.31 (33) | 7.4 lb. 3.4 kg. |
| D1U3302HP | J300 | 3.69 (94) | 4.25 (108) | 9.75 (248) | 1.5 (38) | 10.8 lb. 4.9 kg. |
| D1U3352HP | J350 | 4.31 (109) | 4.62 (117) | 11 (279) | 1.75 (44) | 15.7 lb. 7.1 kg. |
| D7T3402HP | J400 | 4.72 (120) | 5.25 (133) | 12.12 (308) | 1.94 (49) | 21.0 lb. 9.5 kg. |
| D1U3452HP | J450 | 5.34 (135) | 5.56 (141) | 13 (330) | 2.19 (56) | 28.0 lb. 12.7 kg. |
| D1U3552HP | J550 | 6.5 (165) | 6.37 (162) | 15 (381) | 2.75 (70) | 46.0 lb. 20.9 kg. |
| D6I6602HP | J600 | 7.78 (198) | 7.62 (194) | 18 (457) | 3.31 (84) | 81.0 lb. 36.8 kg. |
| D4T4702HP | J700 | 8 (203) | 8 (203) | 19.625 (498) | 3.438 (87) | 100.0 lbs. 45.0 kgs. |

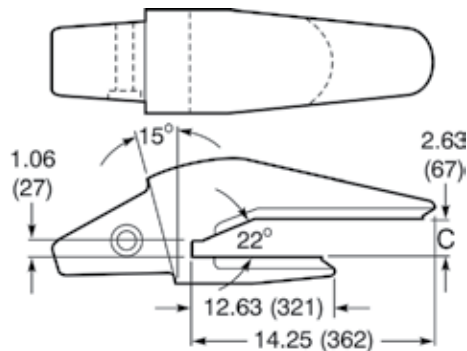


| Lip Thickness | Part No. | Family | DIMENSIONS- inches (mm) | | | | | | Weight |
|---|----------------|--------|-------------------------|----------------|---------------|-----|-----|-----|------------------------|
| | | | A | B | C | D | E | F | |
| FLUSH MOUNT ADAPTERS FOR LOADERS | | | | | | | | | |
| 1 (25) | D1U1254 | J250 | 9.25 (235) | 2 (51) | 1 (25) | N/A | 22° | 13° | 11.5 lbs. 5.2 kgs. |
| 1 (25) | D1U1304 | J300 | 9.375 (238) | 2.313 (59) | 1.063 (27) | N/A | 22° | 14° | 17.0 lbs. 7.7 kgs. |
| 1.5 (38) | D1U1354 | J350 | 11.25 (286) | 3.187 (81) | 1.5 (38) | N/A | 22° | 14° | 30.6 lbs. 13.9 kgs. |
| 1.75 - 2 (45 - 51) | D8E0464 | J460 | 12.5 (318) | 4.125 (105) | 2.187 (56) | N/A | 23° | 13° | 50.5 lbs. 22.9 kgs. |

Caterpillar® Style Parts

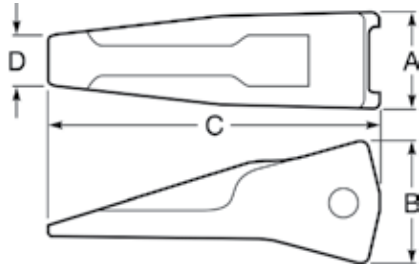


| Lip Thickness | Part No. | Family | DIMENSIONS- inches (mm) | | | | | | Weight |
|--|-----------------|--------|-------------------------|----------------|---------------|---------------|-----|-----|------------------------|
| | | | A | B | C | D | E | F | |
| WRAP-AROUND ADAPTERS FOR EXCAVATORS | | | | | | | | | |
| 0.75 (19) | D8J7525 | J200 | 3.94 (100) | 1 (25) | .63 (16) | .25 (6) | 23° | 14° | 3.1 lbs. 1.4 kgs. |
| 1 (25) | D1193204 | J200 | 4.25 (108) | 3.25 (83) | 1.125 (29) | .5 (13) | 22° | 9° | 4.6 lbs. 2.1 kgs. |
| 1 (25) | D6Y3224 | J225 | 5.563 (141) | 3.687 (94) | 1.063 (27) | .4375 (11) | 22° | 8° | 5.5 lbs. 2.5 kgs. |
| 1.25 (32) | D6Y3254 | J250 | 6 (152) | 4.688 (119) | 1.313 (33) | .375 (9) | 22° | 9° | 9.9 lbs. 4.5 kgs. |
| 1.25 (32) | D3G6304 | J300 | 8 (203) | 4.563 (116) | 1.313 (33) | .563 (14) | 22° | 8° | 15.2 lbs. 6.9 kgs. |
| 1.5 (38) | D8E9490 | J300 | 8.25 (210) | 5.875 (149) | 1.563 (40) | .5 (13) | 23° | 12° | 14.9 lbs. 6.8 kgs. |
| 1.5 (38) | D3G8354 | J350 | 8.25 (210) | 4.75 (121) | 1.687 (43) | .625 (16) | 35° | 8° | 20.5 lbs. 9.3 kgs. |
| 1.57 (40) | D6I6354 | J350 | 9 (229) | 7.25 (184) | 1.625 (41) | .563 (14) | 22° | 12° | 20.9 lbs. 9.5 kgs. |
| 1.75 (45) | D6I6404 | J400 | 9 (229) | 7 (178) | 1.813 (46) | .563 (15) | 22° | 9° | 29.7 lbs. 13.5 kgs. |
| 2 (50) | D8E6464 | J460 | 11.125 (283) | 7.375 (187) | 2 (51) | .437 (11) | 24° | 9° | 41.2 lbs. 18.7 ks. |
| 2.36 (60) | D6I6554 | J550 | 13.25 (337) | 11 (279) | 2.563 (65) | 1.063 (27) | 22° | 9° | 66.0 lbs. 30.0 kgs. |

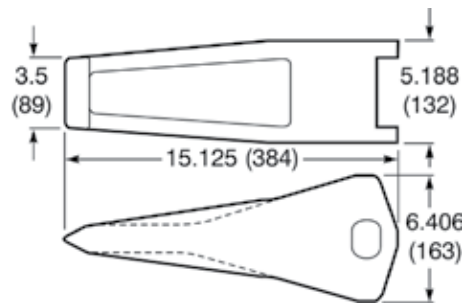


D3G9494
(J550) 2.5" / 64mm lip
64.0 lbs. / 29.0 kgs.

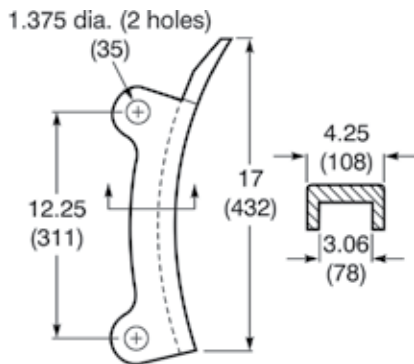
Caterpillar® Style Parts



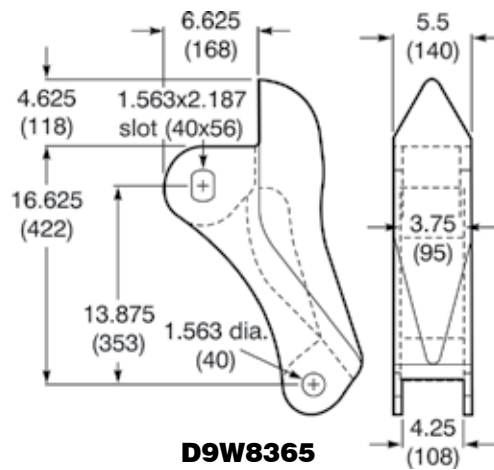
| Part No. | Tooth Series | DIMENSIONS- inches (mm) | | | | Weight |
|--------------------------------------|--------------|-------------------------|----------------|-----------------|---------------|------------------------|
| | | A | B | C | D | |
| RIPPER TEETH (non-centerline) | | | | | | |
| D6Y0309 | R300 | 3.25 (83) | 4.25 (108) | 11.375 (289) | 1.75 (44) | 11.4 lbs. 5.2 kgs. |
| D6Y0359 | R350 | 4.313 (109) | 5.438 (138) | 14 (356) | 2.062 (52) | 25.1 lbs. 11.4 kgs. |
| D4T5452 | R450 | 5 (127) | 6.875 (175) | 15.625 (397) | 2 (51) | 40.0 lbs. 18.1 kgs. |
| D4T5502 | R500 | 6.125 (155) | 8.5 (216) | 17.125 (435) | 2.75 (70) | 61.8 lbs. 28.0 kgs. |
| D4T5503 | R500 | 6.125 (155) | 8.5 (216) | 19 (483) | 2.75 (70) | 72.0 lbs. 32.7 kgs. |



D9W2452
(D8, D9 ripper tooth)
36.0 lbs. / 16.3 kgs.

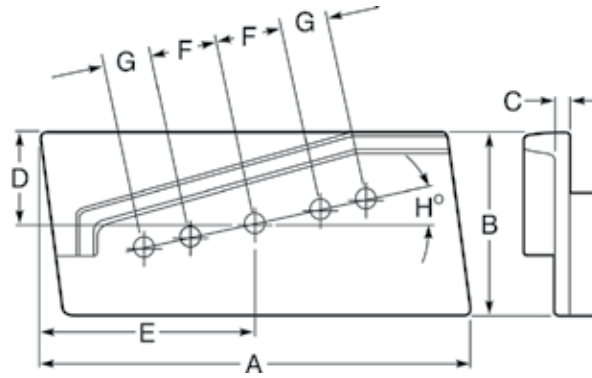


D6J8814
(D8, D9 ripper guard)
31.4 lbs. / 14.2 kgs.

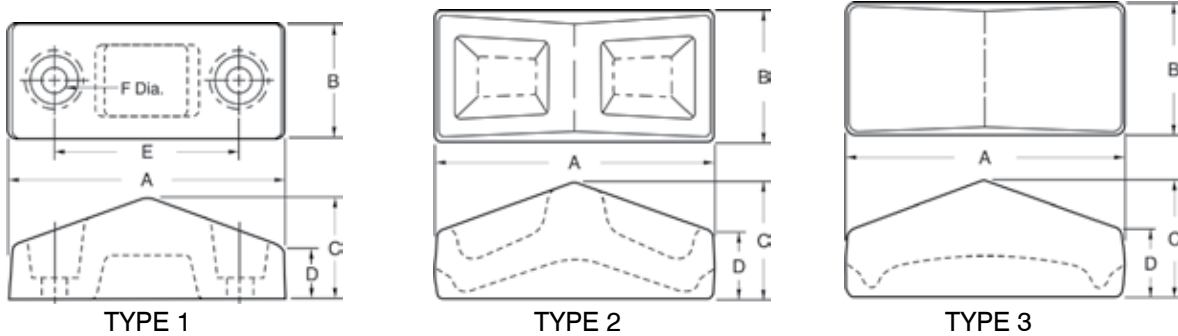


D9W8365
(D10, D11 ripper guard)
87.0 lbs. / 39.5 kgs.

Caterpillar® Style Parts



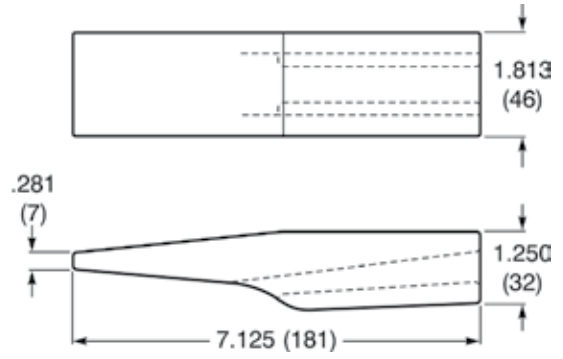
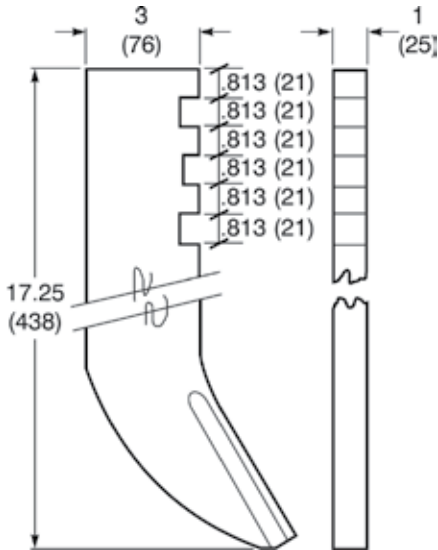
| Part No. | DIMENSIONS- inches (mm) | | | | | | | | Weight |
|--------------------|-------------------------|----------------|--------------|----------------|-----------------|-------------|-------------|-----|------------------------|
| | A | B | C | D | E | F | G | H | |
| ROUTER BITS | | | | | | | | | |
| D4J8665 | 21.125 (537) | 8.625 (219) | .75 (19) | 4.25 (108) | 10.5 (267) | 3.5 (89) | 2.5 (64) | 8° | 52.5 lbs. 23.8 kgs. |
| D7J3203 | 22.75 (578) | 9.625 (244) | .875 (22) | 4.813 (122) | 11.375 (289) | 3.5 (89) | 2.5 (64) | 12° | 78.3 lbs. 35.5 kgs. |



| Part No. | Type | DIMENSIONS- inches (mm) | | | | | | Weight |
|-----------------------|------|-------------------------|---------------|---------------|---------------|---------------|---------------|-----------------------|
| | | A | B | C | D | E | F | |
| COMPACTOR FEET | | | | | | | | |
| D8K9189 | 1 | 6.687 (170) | 2.75 (70) | 2.5 (64) | 1.281 (33) | 4.5 (114) | .656 (17) | 8.2 lbs. 3.7 kgs. |
| D2V7053 | 3 | 6.625 (168) | 3.187 (81) | 2.813 (71) | 1.625 (41) | N/A | N/A | 8.0 lbs. 3.6 kgs. |
| D8K9171 | 1 | 9.062 (230) | 3.062 (78) | 3.187 (81) | 1.562 (40) | 5.75 (146) | 0.937 (24) | 13.6 lbs. 6.2 kgs. |
| D2V6628 | 3 | 9 (229) | 3.625 (92) | 3.5 (89) | 2 (51) | N/A | N/A | 16.5 lbs. 7.5 kgs. |
| D4V0668 | 4 | 8.437 (214) | 3.437 (87) | 3.5 (89) | 1.937 (49) | N/A | N/A | 16.2 lbs. 7.3 kgs. |
| D4V3851 | 4 | 6.687 (170) | 3.187 (81) | 2.812 (71) | 1.625 (41) | N/A | N/A | 10.0 lbs. 4.5 kgs. |

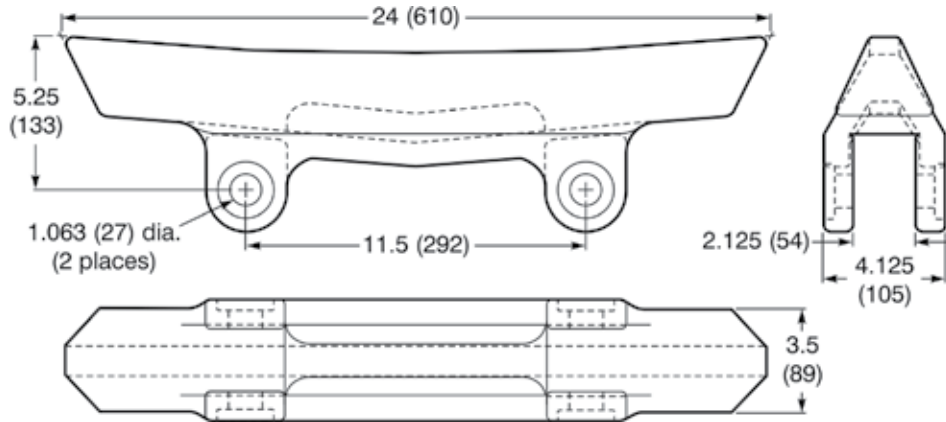
Caterpillar® Style Parts

D9F5124
(M/G scarifier shank)
11.5 lbs. / 5.2 kgs.

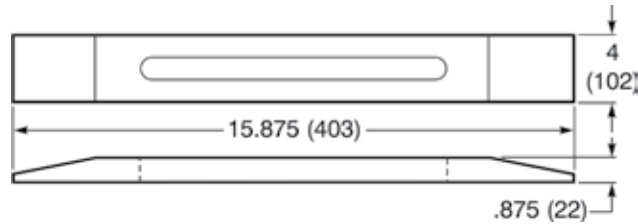


D2D5572
(H.D. scarifier tooth)
3.0 lbs. / 1.4 kgs.

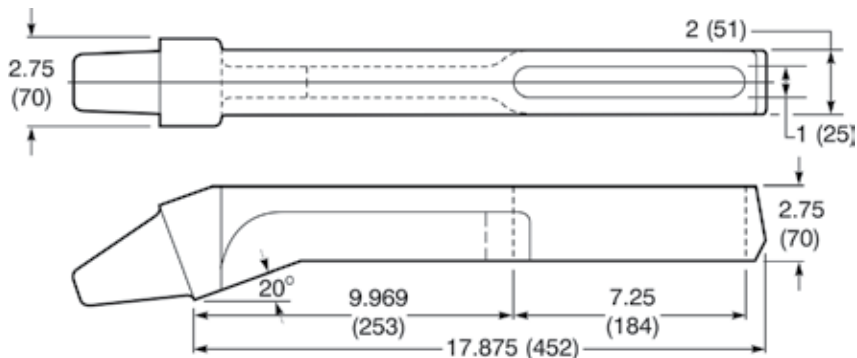
D1U0740
(vertical protector)
49.5 lbs. / 22.5 kgs.



D4S7928
(cleaner bar)
12.4 lbs. / 5.6 kgs.

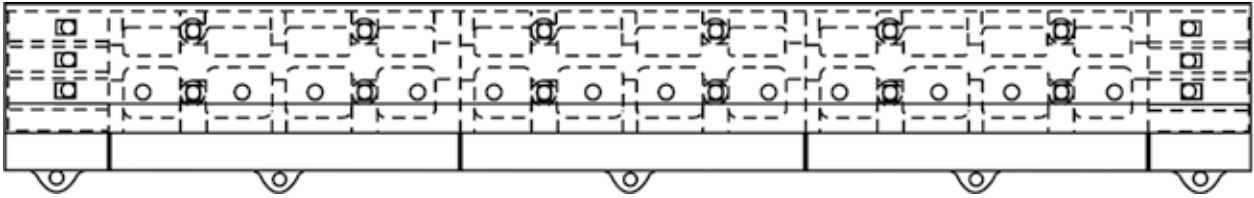


D5V4311
(cleaner bar shank)
19.8 lbs. / 8.9 kgs.



Caterpillar® Style Parts

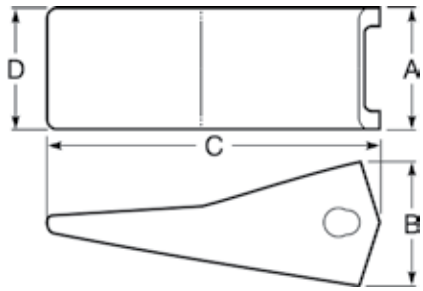
Half Arrow Edges



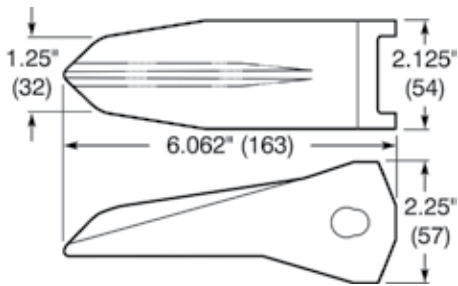
| Loader Model | Bucket Width inches (mm) | Part Number | Plow-Bolt Assembly (no. req'd.) | Number of Segments Required |
|--|--------------------------|---------------|---------------------------------|-----------------------------|
| Center Bolt-On Half Arrow Edges | | | | |
| 980F, G | 134 (3,406) | D109-9212NRHX | A114-412 (4) | 3 |
| 980F, G | 134 (3,406) | D109-9212NRLT | A114-412 (2) | 3 |
| 980C, D, E, F | 130.75 (3,222) | D1U0762NRHX | A114-412 (4) | 3 |
| 970, 970F | 126 (3,200) | D100-6668NRHX | A114-412 (4) | 3 |
| 970, 970F | 119.5 (3,035) | D1U0593NRHX | A114-412 (4) | 3 |
| 966D, E, F | 119.5 (3,035) | D1U0593NRHX | A114-412 (4) | 3 |

| Loader Model | Bucket Width inches (mm) | Part Number | Plow-Bolt Assembly (no. req'd.) | Number of Segments Required |
|-------------------------------------|--------------------------|------------------------------|---------------------------------|-----------------------------|
| End Bolt-On Half Arrow Edges | | | | |
| 980F, G | 134 (3,406) | D1U0761NRHX | A114-412 (3) | 2 |
| 980C, D, E, F | 130.75 (3,222) | D1U071NRHX | A114-412 (3) | 2 |
| 970, 970F | 126 (3,200) | D3G6395RNRHX D3G6395LNRHX | A114-412 (3) A114-412 (3) | 1 1 |
| 970, 970F | 119.5 (3,035) | D3G6395RNRHX D3G6395LNRHX | A114-412 (3) A114-412 (3) | 1 1 |
| 966D, E, F | 119.5 (3,035) | D3G6395RNRHX D3G6395LNRHX | A114-412 (3) A114-412 (3) | 1 1 |

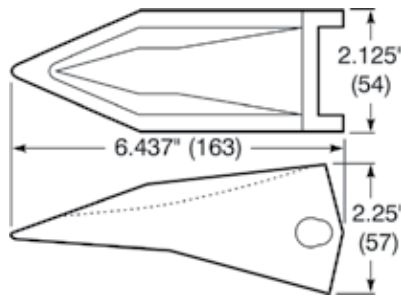
H&L Style Parts



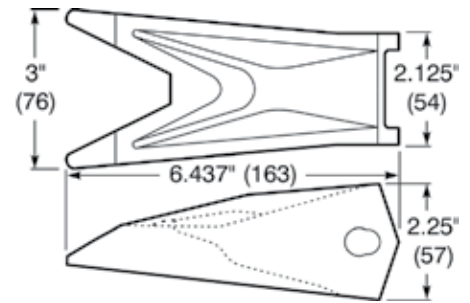
| Part No. | DIMENSIONS- inches (mm) | | | | Weight |
|-----------------|-------------------------|---------------|----------------|---------------|----------------------|
| | A | B | C | D | |
| STANDARD | | | | | |
| D230 | 2.125 (54) | 2.25 (57) | 6.125 (156) | 2.125 (54) | 2.7 lbs. 1.2 kgs. |
| D23HXL | 2.125 (54) | 2.437 (63) | 5.625 (143) | 2.125 (54) | 2.4 lbs. 1.1 kgs. |
| D23HXS | 2.125 (54) | 2.125 (54) | 5.313 (134) | 2.125 (54) | 2.1 lbs. 1.0 kgs. |
| D24 | 2.438 (62) | 3 (76) | 6.75 (171) | 2.125 (54) | 3.6 lbs. 1.6 kgs. |
| D250S | 2.625 (67) | 3 (76) | 7.313 (186) | 2.875 (73) | 7.3 lbs. 3.3 kgs. |
| D270S | 4 (103) | 3.562 (90) | 9 (229) | 3.75 (95) | 9.2 lbs. 4.2 kgs. |



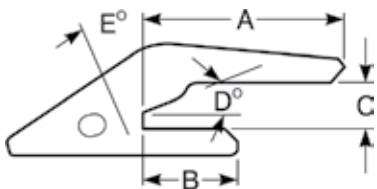
D23ST
2.6 lbs. / 1.2 kgs.



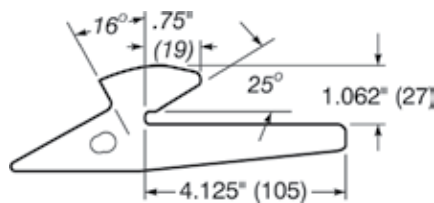
DT23L
2.2 lbs. / 1.0 kgs.



D23WTL
2.6 lbs. / 1.2 kgs.

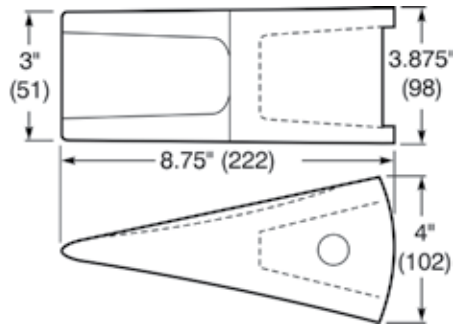


| Part No. | Lip Thickness | DIMENSIONS- inches (mm) | | | | | Weight |
|-----------------------------|---------------|-------------------------|---------------|---------------|-----|-----|----------------------|
| | | A | B | C | D | E | |
| WRAP-AROUND ADAPTERS | | | | | | | |
| D2740MW23 | .75 / 19 | 6.063 (154) | 2.875 (73) | .813 (21) | 24° | 16° | 4.3 lbs. 1.9 kgs. |
| D2740W23 | 1.00 / 25 | 4.50 (114) | 2.125 (54) | 1.094 (28) | 24° | 16° | 3.5 lbs. 1.6 kgs. |
| D2740-23 | 1.00 / 25 | 5.375 (137) | 2.875 (73) | 1.094 (28) | 24° | 16° | 4.4 lbs. 2.0 kgs. |



D834-23
2.9 lbs. / 1.3 kgs.

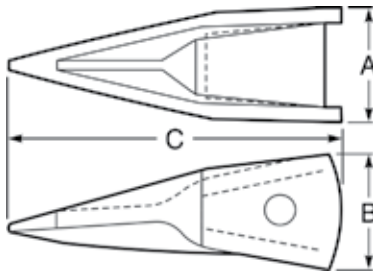
Komatsu Style Parts



D205-70-19570

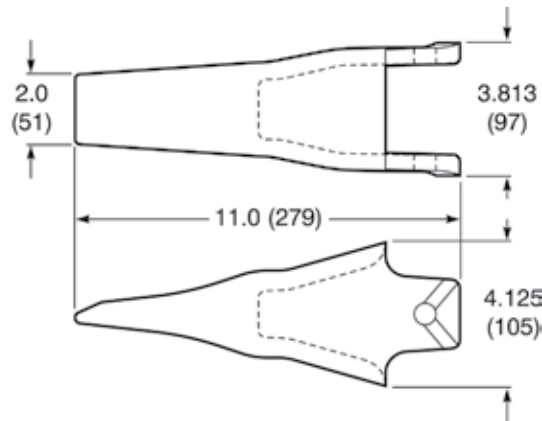
(PC200)

9.7 lbs. / 4.4 kgs.



| Part No. | Machine | DIMENSIONS- inches (mm) | | | | Weight |
|----------------------|----------------------------------|-------------------------|-----------------|-----------------|-----|------------------------|
| | | A | B | C | D | |
| TIGER | | | | | | |
| D2057019570TL | PC100 PC120 PC150 PC200 | 3.875 (98) | 4 (102) | 10.625 (270) | N/A | 13.2 lbs. 6.0 kgs. |
| DT2077014151 | PC220 PC280 PC300 PC360 | 4.75 (121) | 4.4375 (113) | 11.5 (292) | N/A | 16.9 lbs. 7.7 kgs. |
| DT2087014152 | PC400 | 5.625 (143) | 4.75 (121) | 14 (357) | N/A | 27.7 lbs. 12.6 kgs. |

Esco Style Parts



D25R112

10.5 lbs. / 4.8 kgs.

All manufacturer's names, numbers, symbols & descriptions are used for reference purposes only & it is not implied that any part listed is the product of these manufacturers.

SAFETY FIRST: Hensley recommends that you use a soft-faced hammer and ANSI-approved (Z87.1) eye protection while using our products.

Hensley Industries, Inc.

2108 Joe Field Road • Dallas, Texas 75229 U.S.A.

Customer Service

(888) 406 - 6262 U.S./Canada

(972) 406 - 6262 all other locations

Hensley Attachments

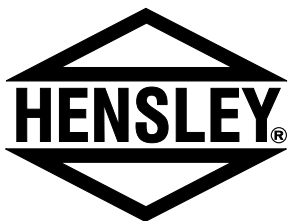
A Division of Hensley Industries, Inc.

800 South Fifth • Mansfield, Texas 76063 U.S.A

(800) 433 - 3144

(817) 477 - 3167

www.hensleyind.com



Copyright © 2009 Hensley Industries, Inc.

This publication is protected under the copyright laws of the United States. Unauthorized duplication and distribution is prohibited.