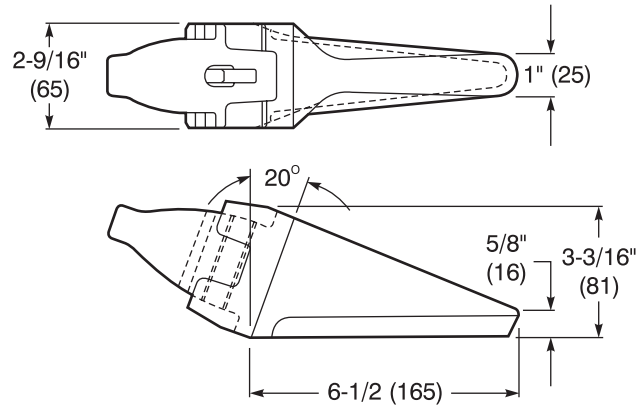




NEW PRODUCT NEWS



PART#: SC10-24DHX
DESCRIPTION: ADAPTER, WELD-ON
WEIGHT: 9.0 LBS. (4.1 KGS.)
SPECIFICS: Adapter for Vosta cutter head designed with Esco 24D nose.

NOTES

All manufacturer's names, numbers, symbols and descriptions are used for reference purposes only and it is not implied that any part listed is the product of these manufacturers.

Hensley Industries, Inc.

2108 Joe Field Road • Dallas, Texas 75229 U.S.A.

Customer Service

(888) 406 - 6262 U.S./Canada • (972) 406 - 6262 all other locations

Hensley Attachments

A Division of Hensley Industries, Inc.

800 South Fifth • Mansfield, Texas 76063 U.S.A.

(800) 433 - 3144 • (817) 477 - 3167



www.hensleyind.com



Your Authorized Hensley Dealer

SAFETY FIRST: Hensley Industries recommends that you use a soft-faced hammer and ANSI-approved (Z87.1) eye protection while using our products.
 Copyright © 2002 Hensley Industries, Inc.

This publication is protected under the copyright laws of the United States. Unauthorized duplication or distribution is prohibited.