

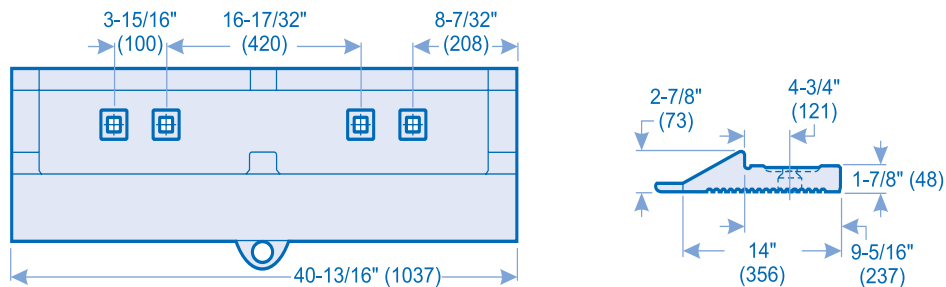
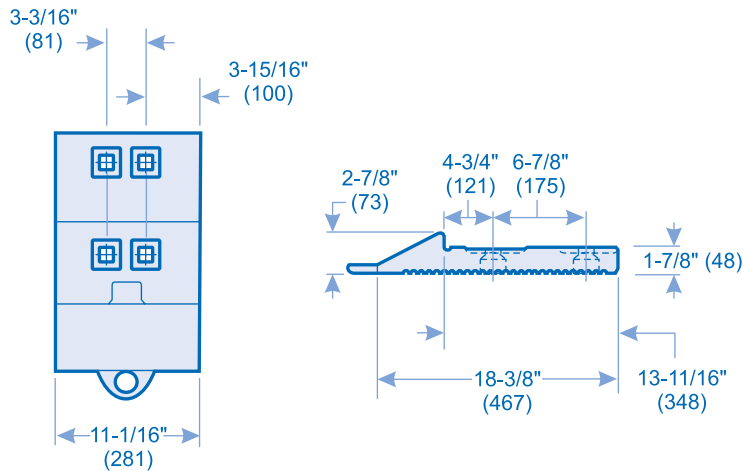
NEW

HALF-ARROW EDGES for KOMATSU WA600-1 & WA600-3 LOADERS

Hensley's half-arrow edges are designed to increase penetration while protecting the base leading edge. Ribbed bottom holds packed material thus extending edge wear life. Cutting edge set replaces *(but does not interchange with)* Komatsu's OEM cutting edge 426-815-1110, 426-815-1120 & 426-815-1130. For use on Komatsu loader models WA600-1 & WA600-3 utilizing base edge 426-70-12122.

One set consists of: (3) **426-815-1110NRHX** (center edge) & (2) **426-815-1130NRHX** (end edges). Requires (16) A138-400 Hensley plow bolt/nut assemblies (1-3/8" x 4" grade 8 plow bolt with nut).

426-815-1130NRHX
(End Edge - 2 Req'd.)
Weight - 85.0 lbs (38.6 kg.)



426-815-1110NRHX
(Center Edge, 3 Req'd.)
Weight - 236.0 lbs (107.1 kg.)

Hensley Customer Service

Toll Free US / Canada
Phone: (888) 406 - 6262
Fax: (888) 241 - 3274

www.hensleyind.com

All Other Locations
Phone: (972) 406 - 6262
Fax: (972) 241 - 3274

NOTE:
Illustrations are for reference purposes only, are not to scale and are rounded to the nearest 1/32"

SAFETY FIRST: Hensley Industries recommends that you use a soft-faced hammer and ANSI-approved (Z87.1) eye protection when using our products.

Copyright © 2002 Hensley Industries, Inc. This publication is protected under the copyright laws of the United States. Unauthorized duplication or distribution is prohibited.