



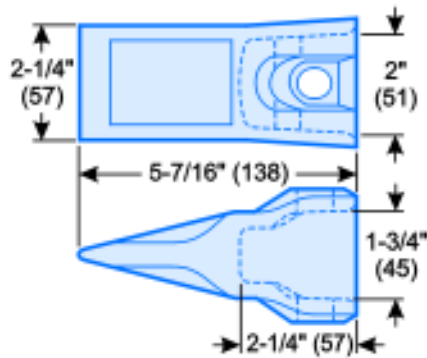
Hensley 135 / 235 Series



135 Series

For excavators with operating weights up to 20,000 lbs.
and loaders with breakout forces of up to 18,000 lbs.

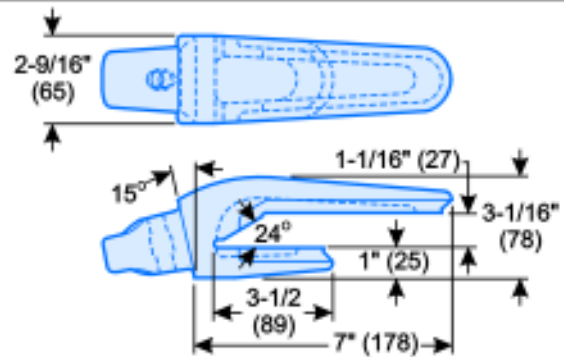
STANDARD TOOTH



135

3.1 lbs./1.4 kgs.

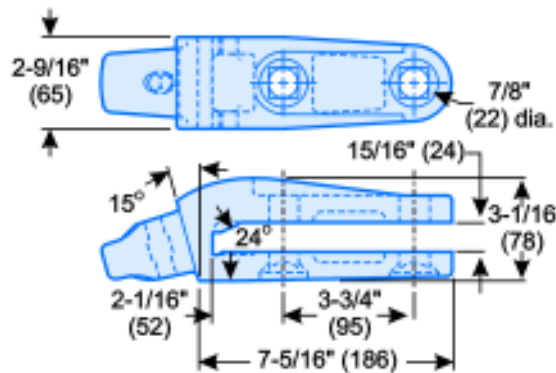
1-1/2 LEG ADAPTER



274X135

7.4 lbs./3.4 kgs.

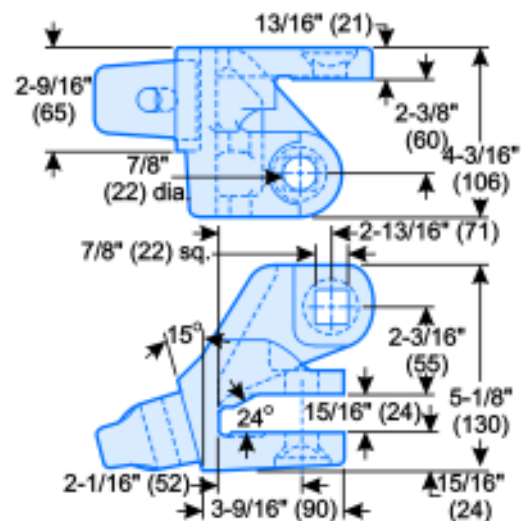
BOLT-ON ADAPTER



140X135

8.6 lbs./3.9 kgs.

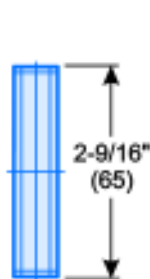
BOLT-ON CORNER ADAPTER



141X135 (RH shown) 142X135 (LH opposite)

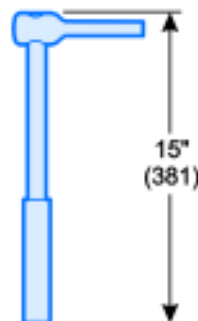
9.5 lbs./4.3 kgs.

FASTENER / PIN REMOVAL TOOL



**ROLL PIN
P135**

0.1 lbs./0.05 kgs.



**PIN REMOVAL TOOL
PRT135**

3.1 lbs./1.4 kgs.



ALL DIMENSIONS ARE IN INCHES (MILLIMETERS)



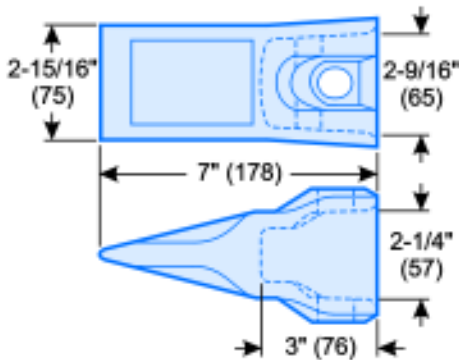
Hensley 135 / 235 Series



235 Series

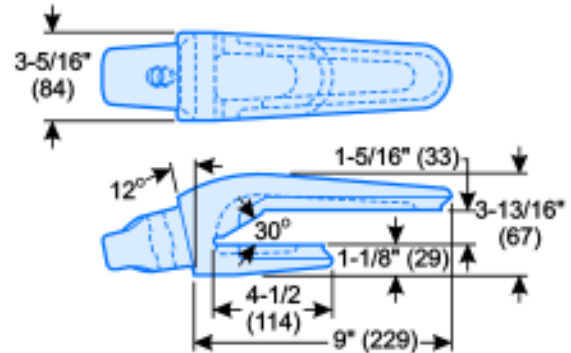
For excavators with operating weights up to 30,000 lbs.
and loaders with breakout forces up to 28,000 lbs.

STANDARD TOOTH



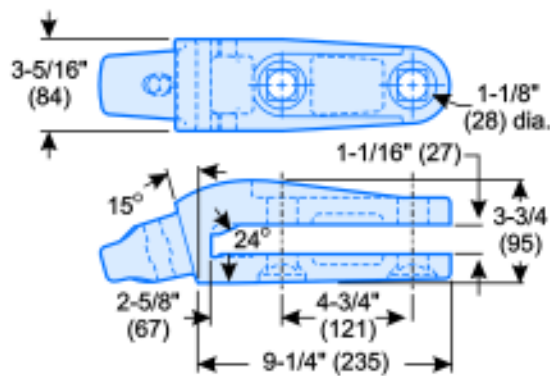
235
6.3 lbs./2.9 kgs.

1-1/2 LEG ADAPTER



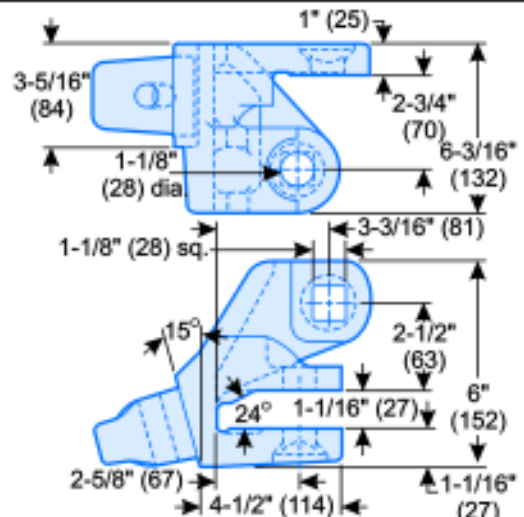
127X235
15.4 lbs./7.0 kgs.

BOLT-ON ADAPTER



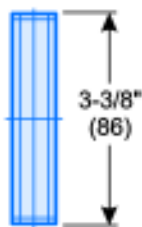
120X235S
19.7 lbs./8.9 kgs.

BOLT-ON CORNER ADAPTER

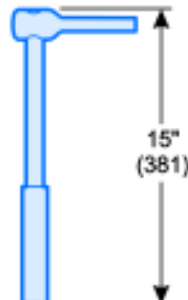


121X235 (RH shown) 122X235 (LH opposite)
16.9 lbs./7.7 kgs.

FASTENER / PIN REMOVAL TOOL



**ROLL PIN
P235**
0.1 lbs./0.05 kgs.



**PIN REMOVAL TOOL
PRT235**
3.1 lbs./1.4 kgs.

Your Authorized Hensley Dealer



Hensley Industries, Inc. 2108 Joe Field Road Dallas, Texas 75229, U.S.A. www.hensleyind.com

Customer Service: 888.406.6262 U.S. & Canada 972.406.6262 all other locations

Copyright © 2001 Hensley Industries, Inc. This publication is protected under the copyright laws of the United States. Unauthorized duplication or distribution is prohibited.

SAFETY FIRST: Hensley recommends that you use a soft-faced hammer and ANSI-approved (287-1) eye protection while using our products.