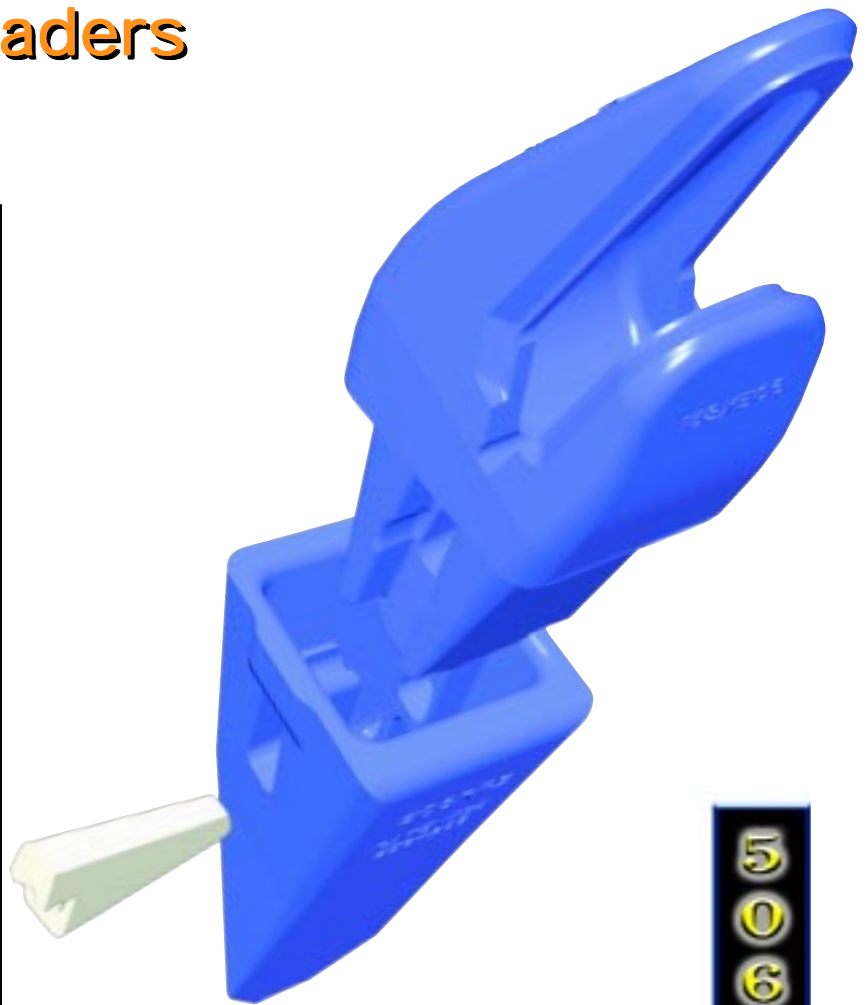
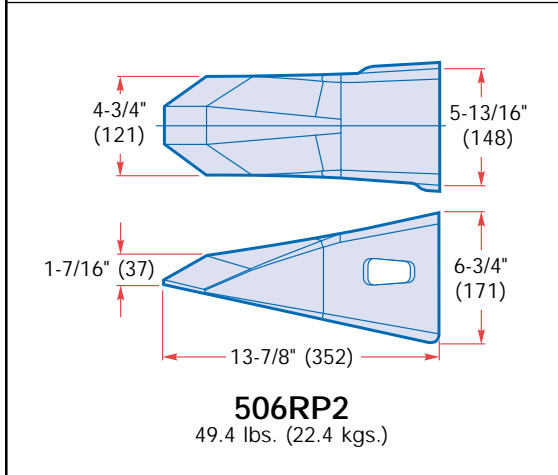
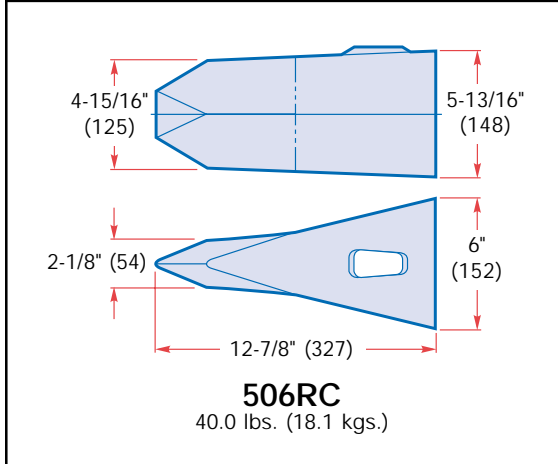


SAFETY-TITE HAMMERLESS

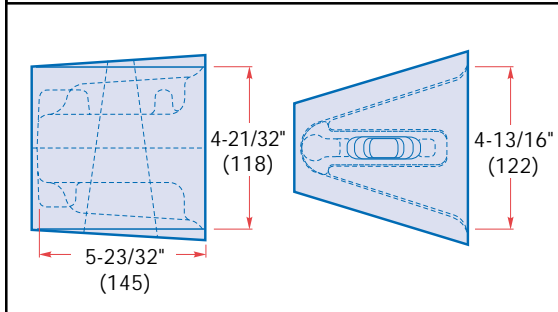
Tooth Fastening System for Excavators & Loaders



Teeth

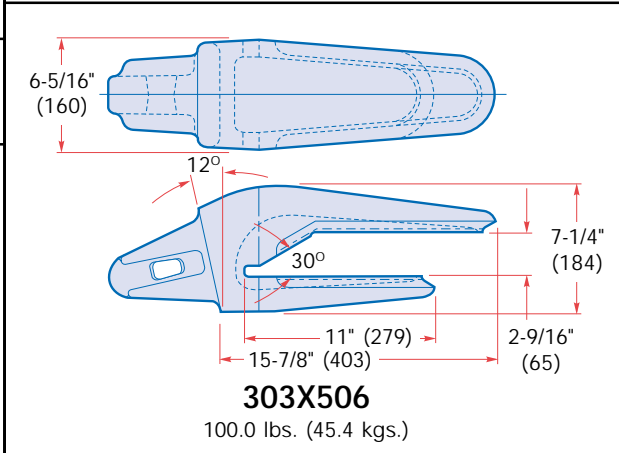


Pocket Detail



All dimensions are in inches (mm).

Adapter



506 SERIES



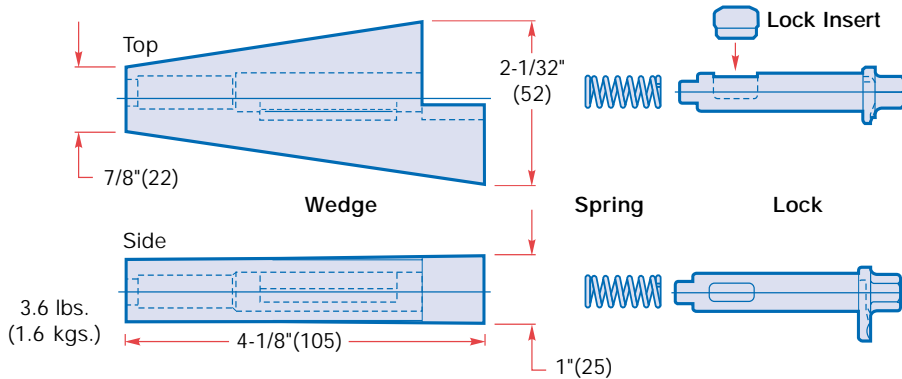
Safer • No Hammer Needed • Quicker Change-Outs



SAFETY-TITE HAMMERLESS



506 DYNA-WEDGE

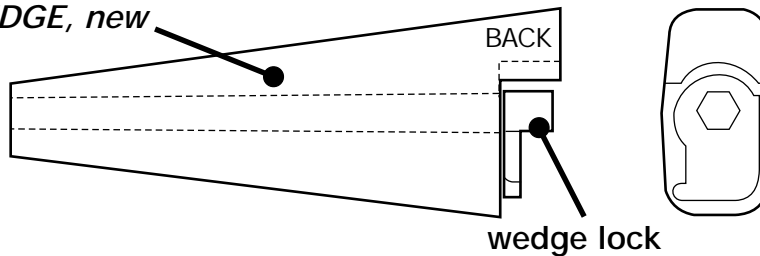


A406P2 Dyna-Wedge

(Sold as an assembly only)

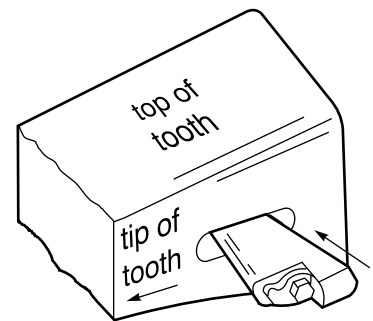
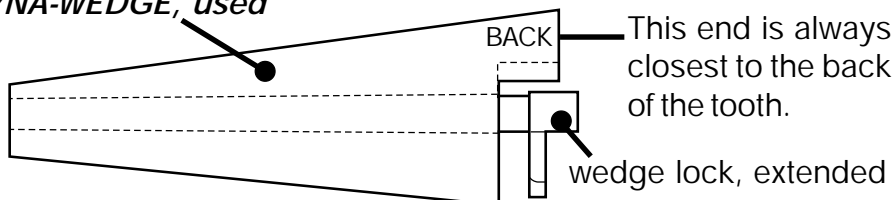
Assembly Includes: 406/506P (wedge)
 406PS (spring)
 406PL (lock)
 406PR (lock insert)

DYNA-WEDGE, new



The **DYNA-WEDGE** comes assembled and ready to use. Notice that the wedge lock is inserted into the **DYNA-WEDGE** as far as it will go.

DYNA-WEDGE, used



On a used **DYNA-WEDGE**, the wedge lock will extend out from the body of the wedge. The wedge lock will need to be tapped back into its original position to allow for ease of use on the next installation.

Hensley Industries, Inc.

2108 Joe Field Road
 Dallas, TX 75229
 www.hensleyind.com

Customer Service:

Toll Free U.S./Canada All Other Locations
 Phone: (888) 406 - 6262 Phone: (972) 406 - 6262
 Fax: (888) 241 - 3274 Fax: (972) 241 - 3274



Your Authorized
 Hensley Dealer

P/506 HAMMERLESS 9-00

Safety First: Hensley recommends that you use a soft-faced hammer and ANSI-approved (Z87.1) eye protection while using our products.