

SAFETY-TITE HAMMERLESS

Tooth Fastening System for Large Excavators & Front-End Loaders*

The adapter is fitted with a replaceable wear cap on top and a super clad plate on bottom for increased wear life.

The newly designed adapter nose and tooth pocket create a tight tooth-to-adapter fit for extended life and greater efficiency.

No sledge hammer is required for installations making this system safer, faster, and easier to manage than any other system on the market today!

With the tooth installed and the *Dyna-Wedge* inserted, a 9/16" socket is the only tool required to rotate this spring-loaded fastener.

Featuring the reusable *Dyna-Wedge* for securing the tooth to the adapter.



706 SERIES



Safer • No Hammer Needed • Quicker Change-Outs

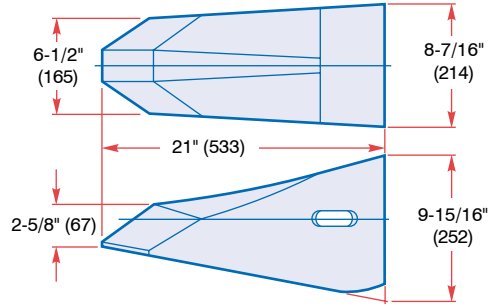
*Loaders with the break-out force of a WA1200 and Excavators in the 400,000 lb. (181,439 kg.) weight class, including hydraulic shovels and backhoes.



SAFETY-TITE HAMMERLESS 706 SERIES TEETH and FASTENER

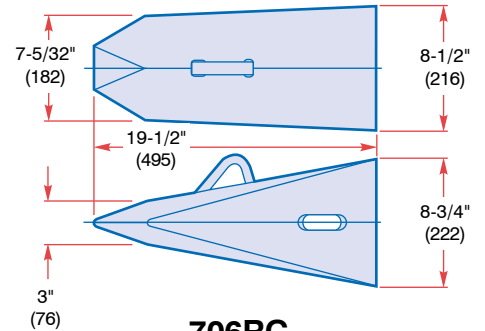


All dimensions are in inches (mm).



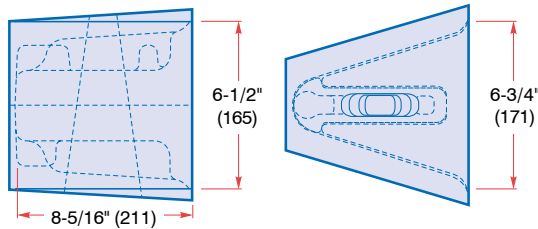
706RP2

175.0 lbs. (79.0 kgs.)

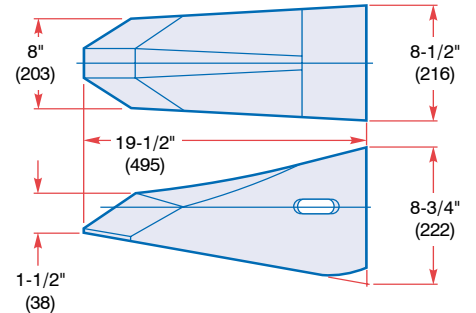


706RC

(under development)
est. weight 125.0 lbs. (57.0 kgs.)

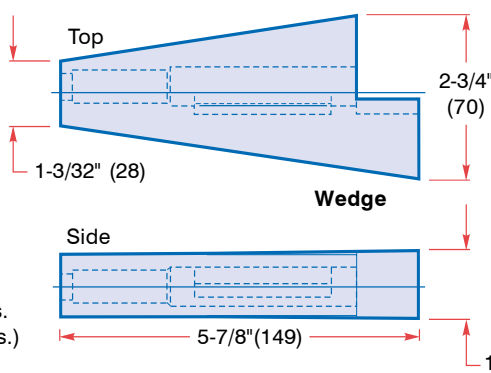


Pocket Detail

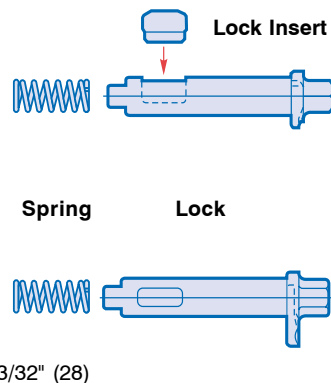


706SYL

(under development)
est. weight 115.0 lbs. (52.0 kgs.)



2.5 lbs.
(1.1 kgs.)

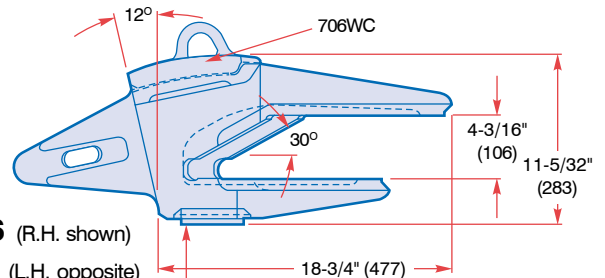
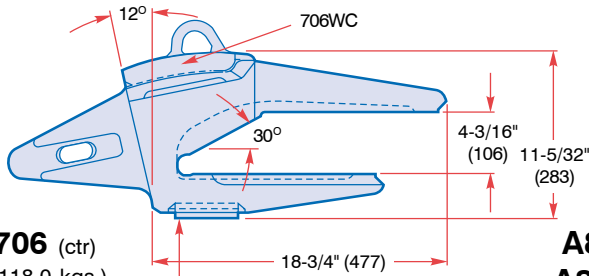
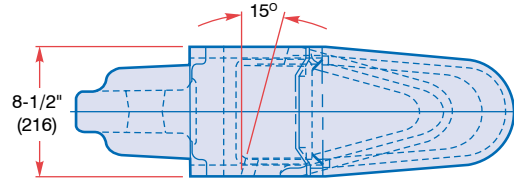
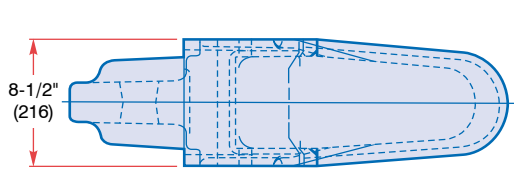


A706P Dyna-Wedge

(Sold as assembly only)

Assembly Includes: A706PW (wedge)
A606PS (spring)
A706PL (lock)
A806PR2 (lock insert)

SAFETY-TITE HAMMERLESS 706 SERIES ADAPTERS

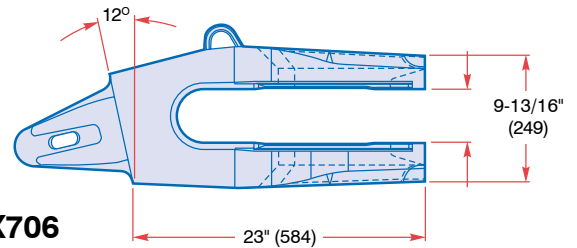
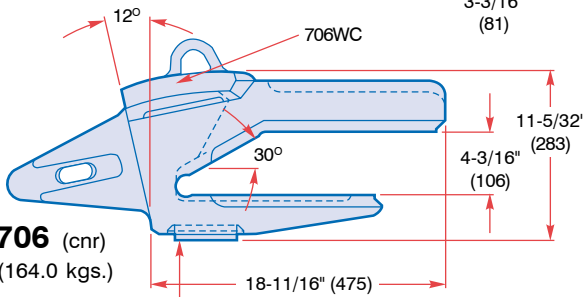
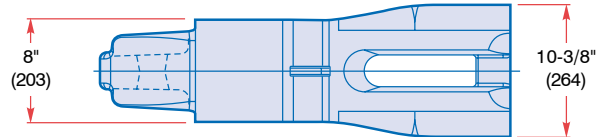
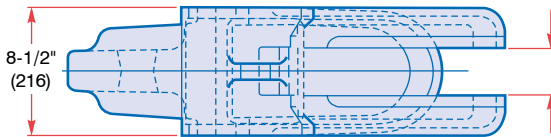


A896X706 (ctr)
260.0 lbs. (118.0 kgs.)

A894X706 (R.H. shown)
A895X706 (L.H. opposite)
260.0 lbs. (118.0 kgs.)

1" (25) X 4" (102) X 6" (152)
Super Clad Plate

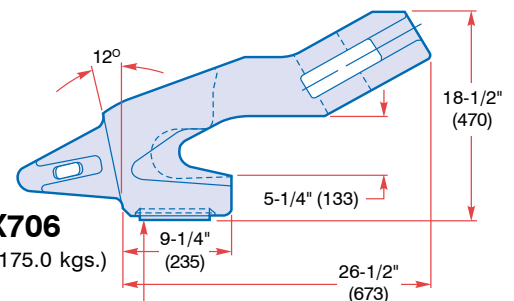
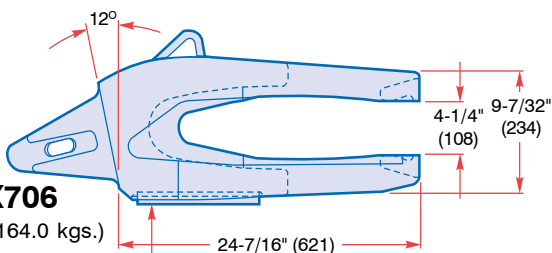
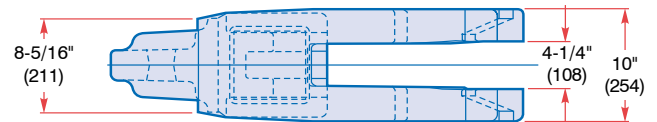
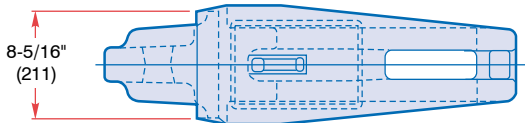
1" (25) X 4" (102) X 6" (152)
Super Clad Plate



A893X706 (cnr)
362.0 lbs. (164.0 kgs.)

397X706
400.0 lbs. (181.0 kgs.)

1" (25) X 4" (102) X 6" (152)
Super Clad Plate



454X706
362.0 lbs. (164.0 kgs.)

453X706
385.0 lbs. (175.0 kgs.)

1" (25) X 6" (152) X 10" (254)
Super Clad Plate

1" (25) X 6" (152) X 6" (152)
Super Clad Plate

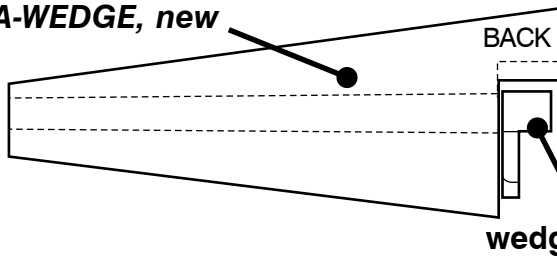


SAFETY-TITE HAMMERLESS

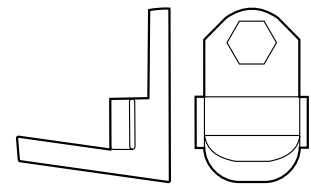
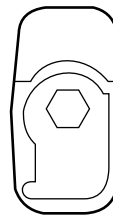


706 DYNA-WEDGE

DYNA-WEDGE, new



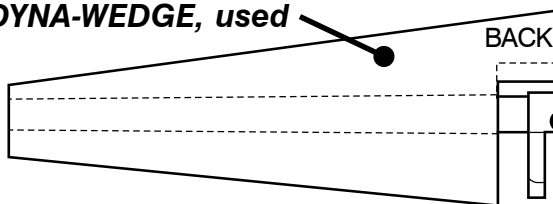
wedge lock



wedge cap

The **DYNA-WEDGE** comes assembled and ready to use. Notice that the wedge lock is inserted into the **DYNA-WEDGE** as far as it will go.

DYNA-WEDGE, used



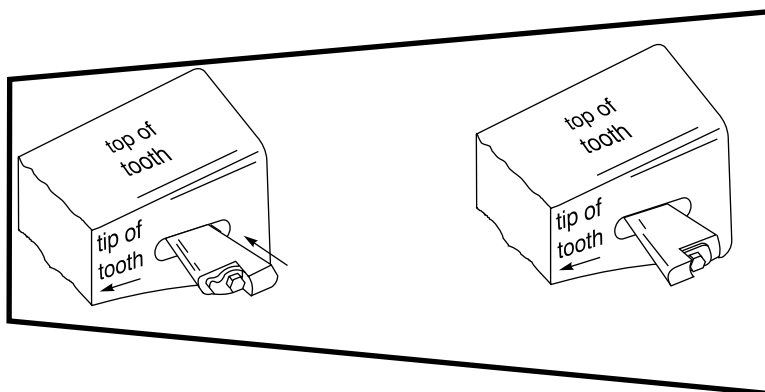
This end is always closest to the back of the tooth.

wedge lock extended

The **DYNA-WEDGE** is reusable!

On a used **DYNA-WEDGE**, the wedge lock will extend out from the body of the wedge. The wedge lock will need to be tapped back into its original position to allow for ease of use on the next installation.

Refer to the decal in the next frame to see the correct way to install the **DYNA-WEDGE**.



For your convenience, this decal is placed on each **706 DYNA-WEDGE**.

Hensley Industries, Inc.

2108 Joe Field Rd.
Dallas, TX 75229

Customer Service:

Toll Free U.S./Canada All Other Locations
Phone: (888) 406 - 6262 Phone: (972) 406 - 6262
Fax: (888) 241 - 3274 Fax: (972) 241 - 3274

www.hensleyind.com



Your Authorized
Hensley Dealer

P/new 706 9-00

Safety First: Hensley recommends that you use a soft-faced hammer and ANSI-approved (Z87.1) eye protection while using our products.