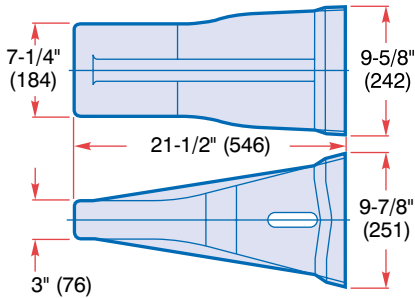


SAFETY-TITE HAMMERLESS

For Large Excavators and Hydraulic Face Shovels

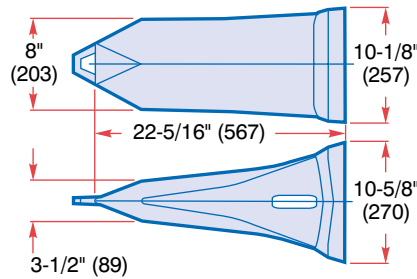
System Features:

- For excavators in the 529,000 lbs. (240,000 kgs.) weight class and for hydraulic face shovels.
- No sledge hammer required for installations making this system safer, faster and easier than any other system.
- Features the reusable **DYNA-WEDGE** tooth fastener.
- With the tooth installed, a 5/8" socket is the only tool required to rotate the spring-loaded fastener to complete the installation.
- The newly designed adapter nose and tooth pocket create a tight tooth-to-adapter fit for extended life and greater efficiency.



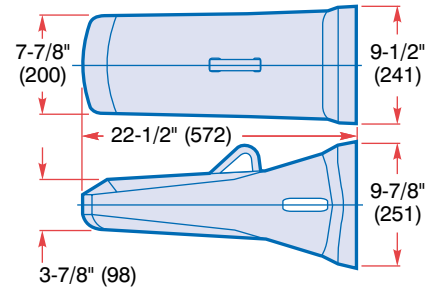
806CT

195.0 lbs. (88.5 kgs.)



806RC

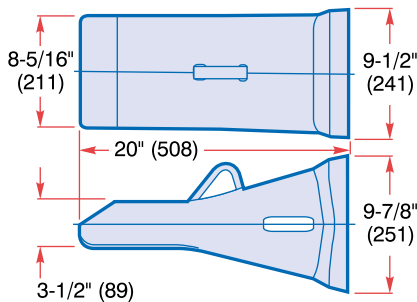
179.0 lbs. (81.2 kgs.)



806RM

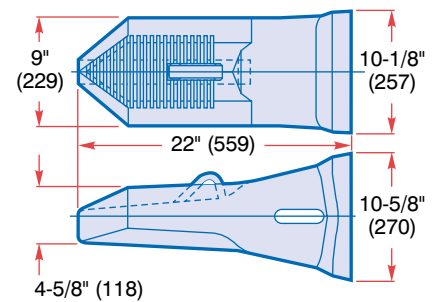
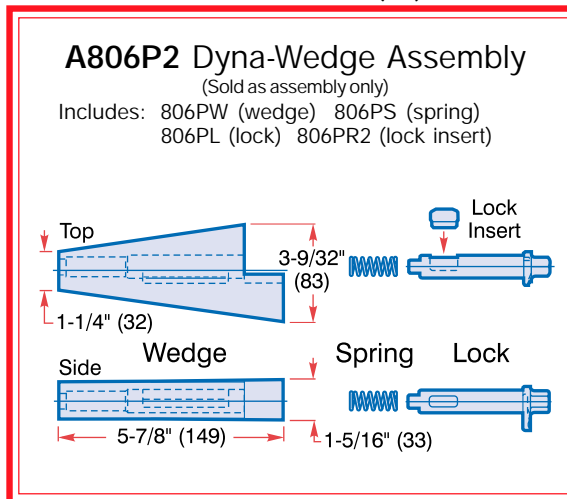
217.0 lbs. (98.4 kgs.)

All Dimensions in Inches (MM)



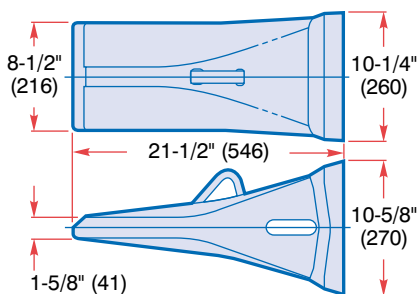
806RMHL

180.0 lbs. (81.6 kgs.)



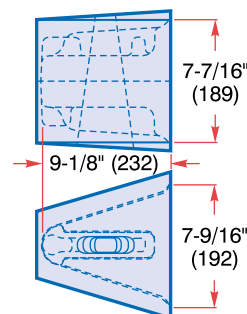
806V

235.0 lbs. (106.6 kgs.)

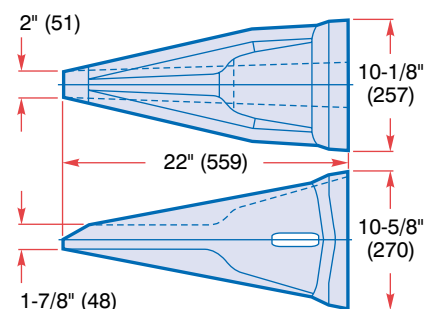


806SYL

167.0 lbs. (75.7 kgs.)

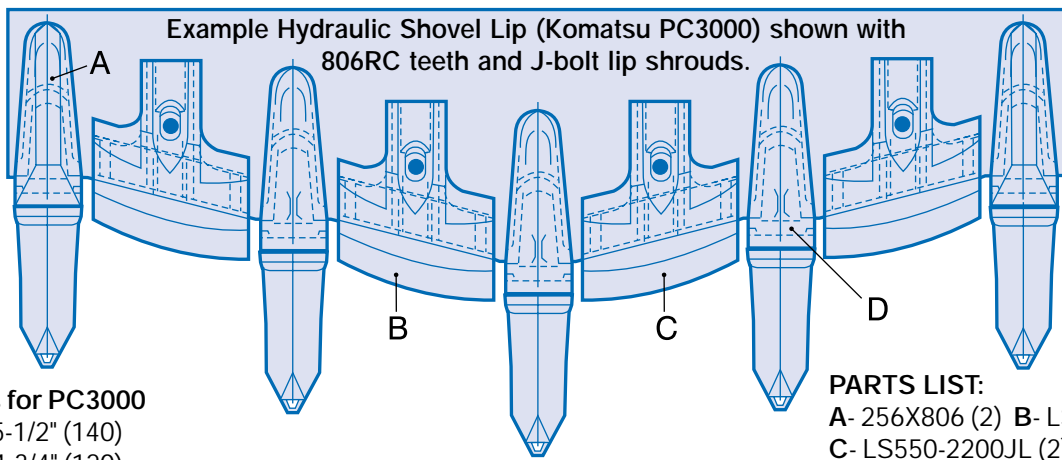


POCKET DETAIL



T806

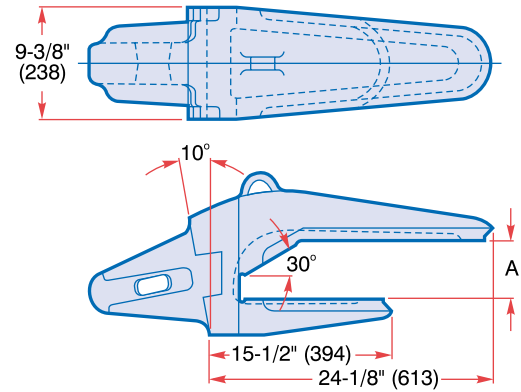
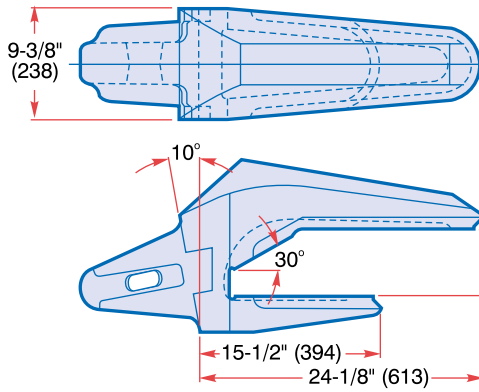
158.0 lbs. (71.7 kgs.)



Lip Thickness for PC3000
 Face Shovel: 5-1/2" (140)
 Excavator: 4-3/4" (120)

PARTS LIST:
 A- 256X806 (2) B- LS550-2200JR (2)
 C- LS550-2200JL (2) D- 255X806 (3)

All Dimensions in Inches (MM)



Corner Adapter

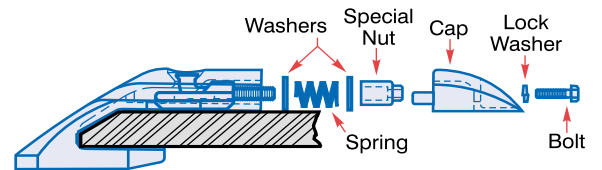
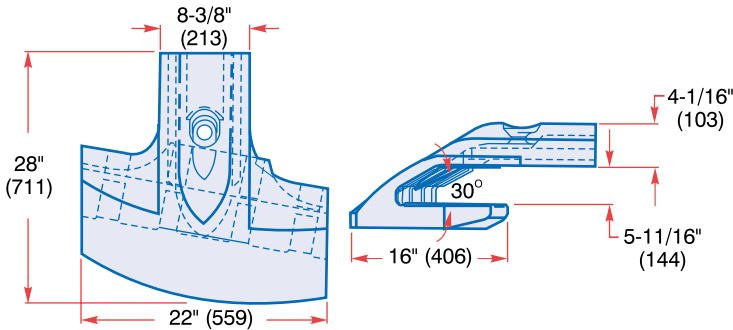
| PART NO. | A | lbs. | kgs. |
|----------|----------------|-------|-------|
| 256X806 | 5-11/16" (144) | 380.0 | 172.4 |
| 258X806 | 4-15/16" (125) | 365.0 | 165.6 |

Center Adapter

| PART NO. | A | lbs. | kgs. |
|----------|----------------|-------|-------|
| 255X806 | 5-11/16" (144) | 330.0 | 149.7 |
| 257X806 | 4-15/16" (125) | 330.0 | 149.7 |

Face Shovel
 Excavator

Hensley's innovative **J-Bolt** shroud system rounds out this application for hydraulic face shovels and excavators. The system requires minimum welding and once installed, change-outs are done in minutes. The secret to quick change-outs is the J-Bolt fastening system which bolts the shroud to a weld base on the lip surface. A cap keeps dirt and other debris out of the fastening system (see below).



For Face Shovels Only
 LS550-2200JR (shown)
 LS550-2200JL (opposite)
 405.0 lbs. (183.7 kgs.)

For Excavators Only
 LS475-1700JR (not pictured)
 LS475-1700JL (not pictured)
 305.0 lbs. (138.3 kgs.)

Additional Parts Not Shown
 VS255 Vertical Wear Shroud
 P225 Pin (2 required)
 255W Washer (2 required)



www.hensleyind.com

Hensley Industries, Inc.

2108 Joe Field Road • Dallas, TX 75229 U.S.A.

Customer Service:

Toll Free U.S./Canada Phone: 888.406.6262 Fax: 888.241.3274 • All Other Locations Phone: 972.406.6262 Fax: 972.241.3274

Safety First: Hensley recommends that you use a soft-faced hammer and ANSI-approved (Z87.1) eye protection while using our products.

