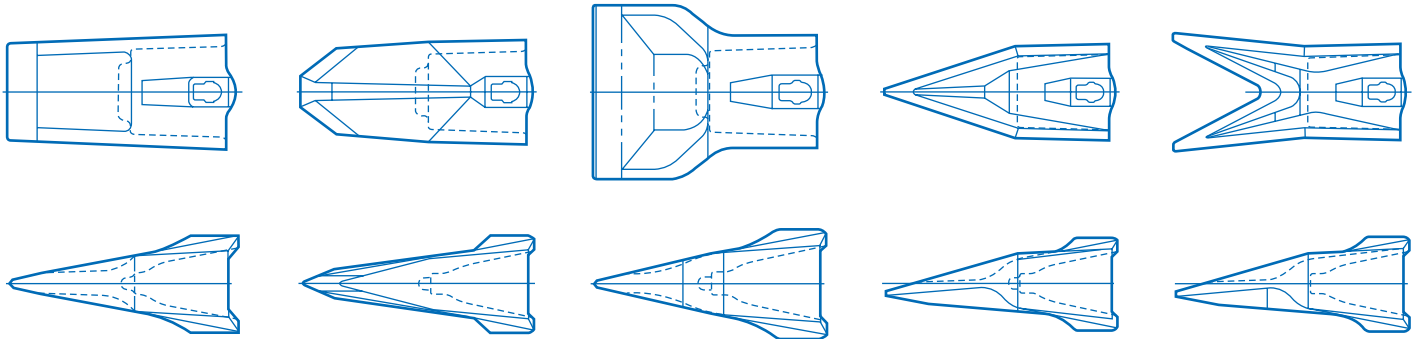


Hendrix-Style Excavator Teeth



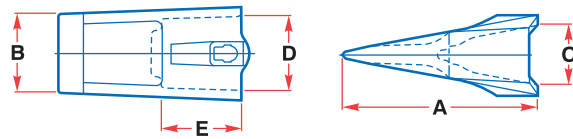
**Standard
P**

**Rock Chisel
RC**

**Flare
F**

**Tiger
T**

**Twin Tiger
WT**



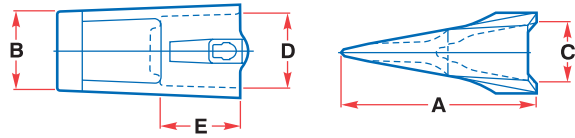
typical drawing

214 Series

Hensley Part No.	Replaces Hendrix Part No.	Tooth Style	Fastener	Dimensions - Inches (MM)					Wt. Lbs. (Kgs.)
				A	B	C	D	E	
214PHX	214P	P	4EP	8-1/2 (216)	3-5/8 (92)	2-3/4 (70)	3-5/16 (84)	4-7/32 (107)	12.3 (5.6)
214RC	244P	RC	"	9-3/8 (238)	3-1/2 (89)	"	"	"	13.5 (6.1)
214FHX	254P	F	"	8-1/2 (216)	6-1/2 (165)	"	"	"	15.4 (7.0)
T214	234P	T	"	10 (254)	1/4 (6)	"	"	"	11.5 (5.2)
214WT	224P	WT	"	10 (254)	5-1/4 (133)	"	"	"	12.7 (5.8)

314 Series

Hensley Part No.	Replaces Hendrix Part No.	Tooth Style	Fastener	Dimensions - Inches (MM)					Wt. Lbs. (Kgs.)
				A	B	C	D	E	
314PHX	314P	P	4EP	9-3/8 (238)	4 (102)	2-15/16 (75)	3-25/32 (96)	4-5/16 (109)	13.9 (6.3)
314RC	344P	RC	"	10-3/8 (264)	3-7/8 (99)	"	"	"	17.3 (7.8)
314FHX	354P	F	"	10-3/16 (259)	7-1/2 (191)	"	"	"	21.6 (9.8)
T314	334P	T	"	10-3/4 (273)	9/32 (7)	"	"	"	14.3 (6.5)
314WT	324P	WT	"	10-3/4 (273)	5-3/4 (146)	"	"	"	16.0 (7.3)



typical drawing

414 Series

Hensley Part No.	Replaces Hendrix Part No.	Tooth Style	Fastener	Dimensions - Inches (MM)					Wt. Lbs. (Kgs.)
				A	B	C	D	E	
414PHX	414P	P	4EP	10 (254)	4-1/2 (114)	3-1/4 (83)	4-5/16 (109)	4-11/32 (110)	18.1 (8.2)
414RC	444P	RC	"	11 (279)	4-1/2 (114)	"	"	"	22.8 (10.3)
414FHX	454P	F	"	11 (279)	8-1/2 (216)	"	"	"	28.2 (12.8)
T414	434P	T	"	11-3/4 (298)	5/16 (8)	"	"	"	18.2 (8.3)
414WT	424P	WT	"	11-3/4 (298)	6-1/8 (156)	"	"	"	20.7 (9.4)

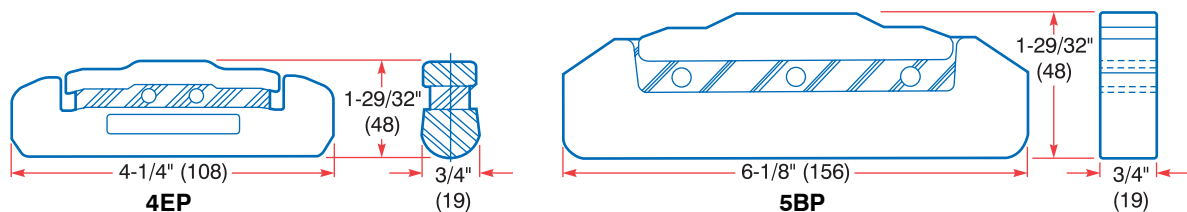
514 Series

Hensley Part No.	Replaces Hendrix Part No.	Tooth Style	Fastener	Dimensions - Inches (MM)					Wt. Lbs. (Kgs.)
				A	B	C	D	E	
514PHX	514P	P	4EP	12-3/4 (324)	5-1/4 (133)	3-27/32 (98)	4-31/32 (126)	5-19/32 (142)	36.9 (16.7)
514RC	544P	RC	"	14 (356)	5-1/4 (133)	"	"	"	43.7 (19.8)
514FHX	554P	F	"	12-3/4 (324)	9-11/16 (246)	"	"	"	49.5 (22.5)
T514	534P	T	"	14-1/2 (368)	3/8 (10)	"	"	"	34.8 (15.8)
514WT	524P	WT	"	14-1/2 (368)	7-1/2 (191)	"	"	"	39.1 (17.7)

614 Series

Hensley Part No.	Replaces Hendrix Part No.	Tooth Style	Fastener	Dimensions - Inches (MM)					Wt. Lbs. (Kgs.)
				A	B	C	D	E	
614RC	---	RC	5BP	15 (381)	6-3/8 (162)	4-5/8 (117)	6 (152)	6-1/16 (154)	72.0 (32.7)
T614	---	T	"	16 (406)	7/16 (11)	"	"	"	56.0 (25.4)
614WT	624P	WT	"	16 (406)	8-3/4 (222)	"	"	"	64.0 (29.0)

Flex Pin Fasteners



Hensley Industries, Inc.

An ISO 9001 Company
 www.hensleyind.com
 2108 Joe Field Road • Dallas, TX 75229 USA

Customer Service:

Toll free US & Canada: Phone (888) 406-6262 Fax (888) 241-3274
 All other locations: Phone (972) 406-6262 Fax (972) 241-3274



Your Authorized Hensley Dealer

SAFETY FIRST: Hensley Industries recommends that you use a soft-faced hammer and ANSI-approved (Z87.1) eye protection while using our products.