



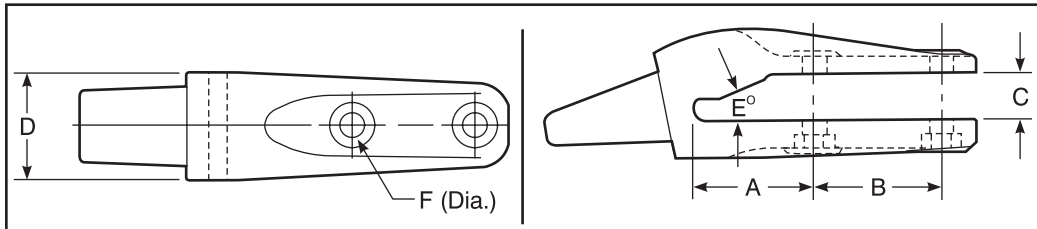
JOHN DEERE LOADER PARABOLIC[®] ADAPTERS

Current Model Wheel Loader	Center Adapter		Corner Adapter	
	Hensley	Replaces O.E.M. Part #	Hensley	Replaces O.E.M. Part #
544E	165X225	T105692	191X225	T103191
624E	165X225	T105692	191X225	T103191
644E	190X290	T103190	191X290	T103191
744E	744X330	T123077	743X330	T79006

Current Model Crawler Loader	Center Adapter		Corner Adapter	
	Hensley	Replaces O.E.M. Part #	Hensley	Replaces O.E.M. Part #
455G	164X225	T112164	163X225	T112163
555G	165X225	T105692	163X225	T112163
655B	673X290	T104673	674X290	T104674
755B	673X290	T104673	674X290	T104674

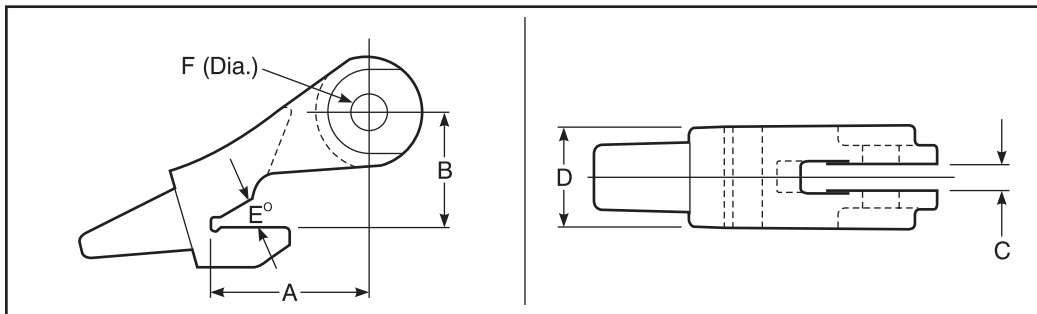
Hensley Industries now has Parabolic[®] adapters for current model John Deere Crawler and Wheel Loaders. The Parabolic[®] adapters match the same bolt pattern as the John Deere adapter numbers which are listed.

Center Adapters



Hensley Center Adapter Part Number	Dimensions (Inches)						WT. LBS.
	A	B	C	D	E (Degree)	F (Dia.)	
164X225 (1-1/2 LEG)	2.469	3.625	.812	3.125	30°	.937	12.3
165X225 (1-1/2 LEG)	2.50	3.50	1.062	3.125	30°	.812	11.7
190X290 (1-1/2 LEG)	3.406	4.781	1.313	3.625	30°	1.188	21.5
673X290 (2 LEG)	2.938	4.750	1.375	3.625	30°	1.125	27.5
744X330 (2 LEG)	4.375	5.188	1.625	4.50	30°	1.375	44.0

Corner Adapters



Hensley Center Adapter Part Number	Dimensions (Inches)						WT. LBS.
	A	B	C	D	E (Degree)	F (Dia.)	
163X225	5.125	3.625	.812	3.125	30°	1.125	15.8
191X225	8.563	4.094	1.031	3.125	30°	1.094	20.5
191X290	8.563	4.094	1.031	3.625	30°	1.094	26.2
647X290	6.718	4.844	1.125	3.625	30°	1.438	35.0
743X330	11.594	5.547	1.375	4.50	30°	1.438	64.0

Hensley Industries, Inc.

2108 Joe Field Road Dallas, Texas 75229 U.S.A.

www.hensleyind.com

An ISO 9001:2000 Certified Company

Customer Service

U.S. & Canada: Tel. 888.406.6262; Fax 888.241.3274

All Other Locations: Tel. 972.406.6262; Fax 972.241.3274

Your Authorized Hensley Dealer