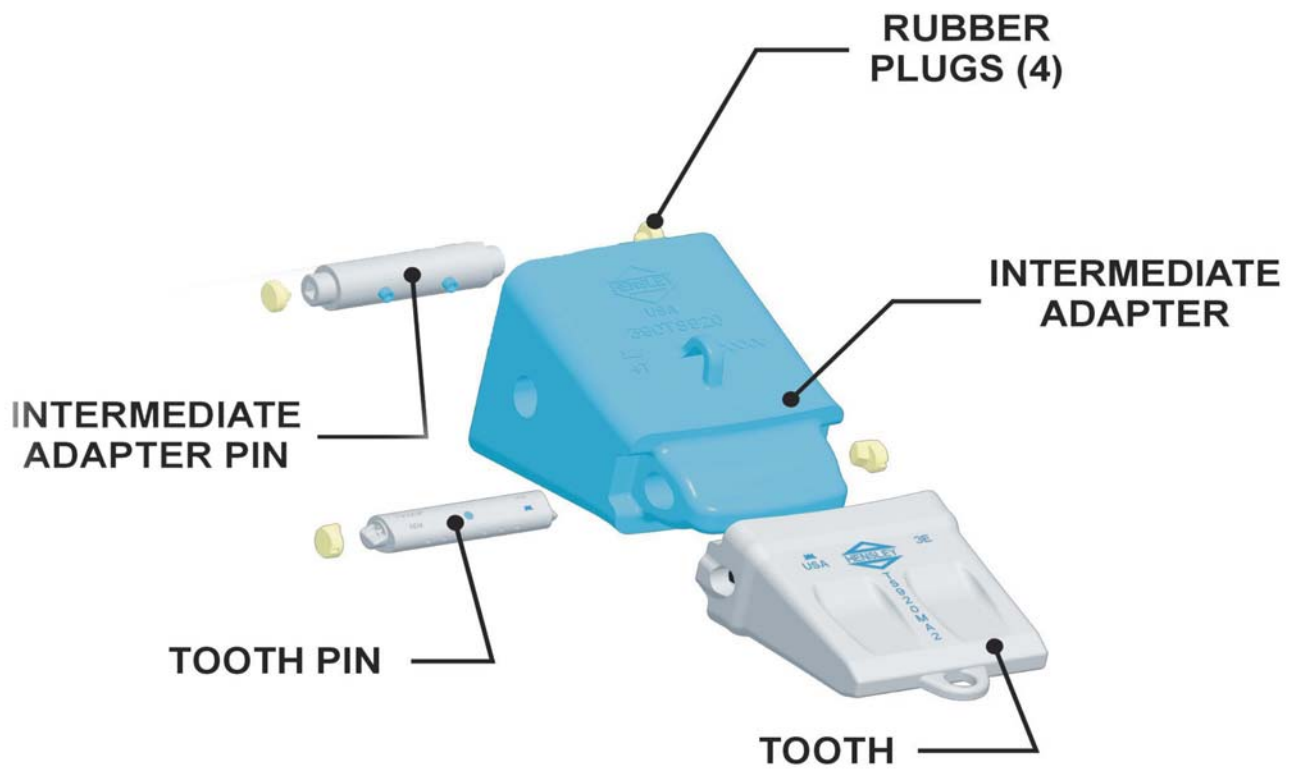




TS 1120 Series

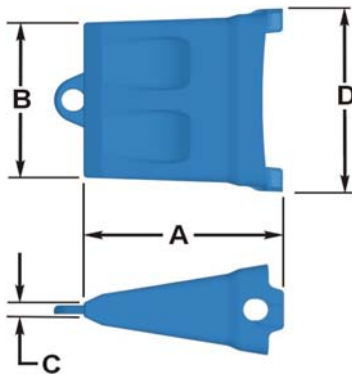
Teeth & Adapters Exclusively for XS Extreme Service Dealers



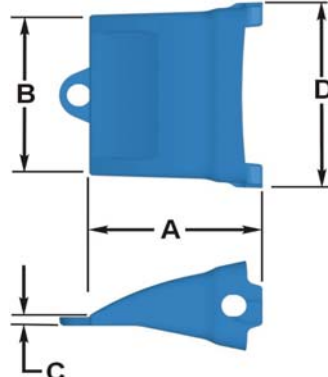


TS 1120 Series

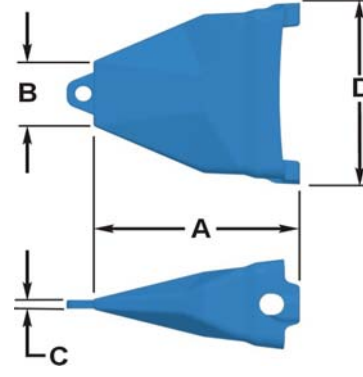
Teeth & Adapters Exclusively for XS Extreme Service Dealers



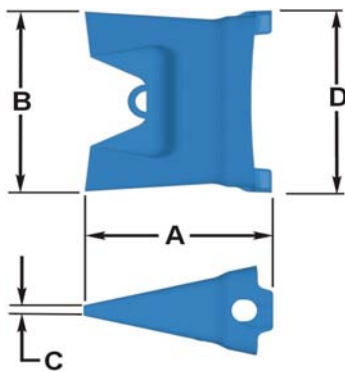
TS1120H



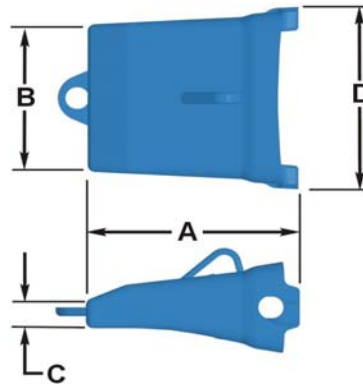
TS1120DPS



RC Type
(Future Development)

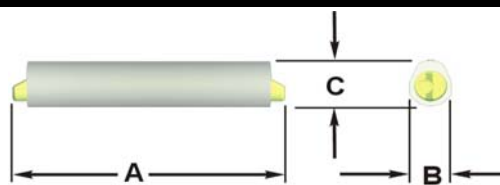


TAP Type
(Future Development)



TS1120RML

TEETH									
XS Series	Part Number	Tooth Pin Assembly	Dimension Inches (mm)						Weight (kg)
			Overall Tooth						
			A	B	C	D			
TS1120	TS1120H	TS1120P	14.25 (362)	13.25 (337)	.625 (16)	14.94 (379)			138.0 (63)
	TS1120DPS		13.00 (330)	13.00 (330)	.875 (22)	14.75 (375)			117.0 (53)
	TS1120RML		14.25 (362)	12.75 (324)	2.25 (57)	14.83 (377)			175.0 (80)

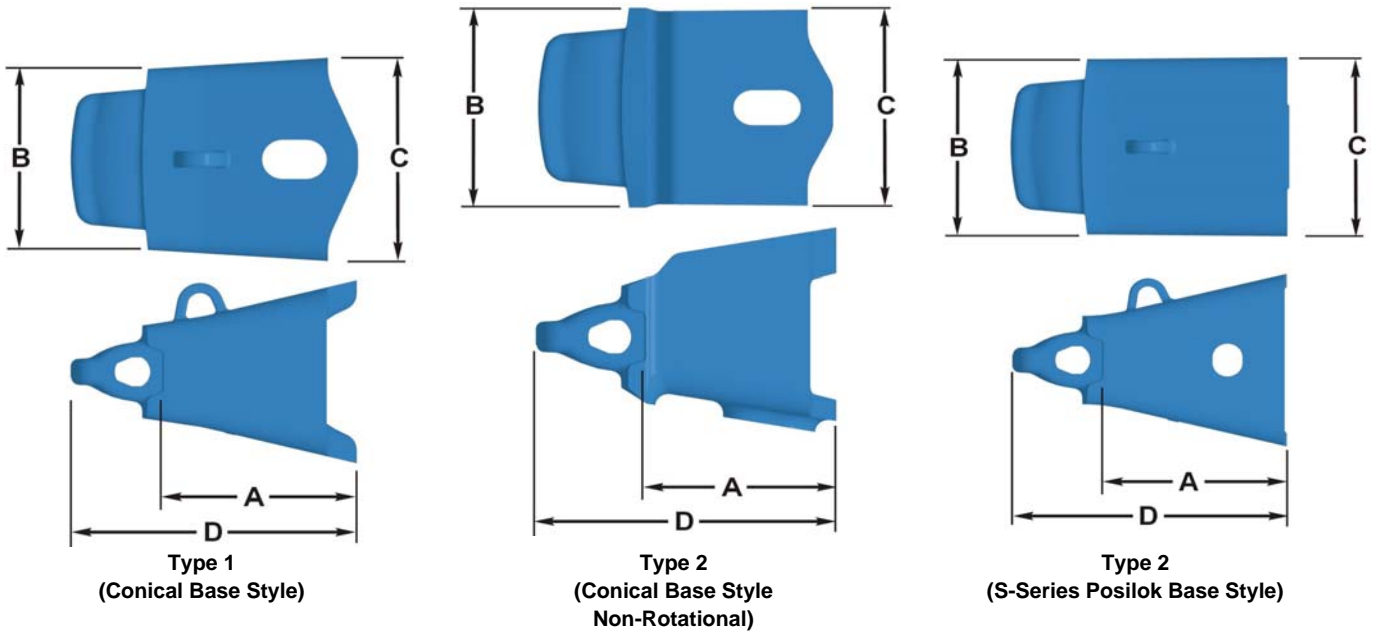


TOOTH PIN ASSEMBLY		Dimensions Inches (mm)			Weight (kg)
TS1120P	A	B	C		
	12.75 (324)	2.31 (59)	2.75 (70)	15.3 (7)	

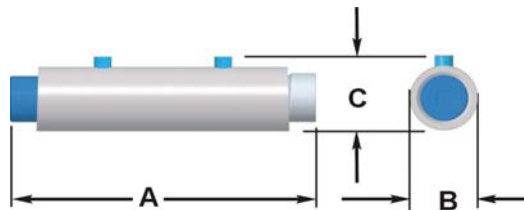


TS 1120 Series

Teeth & Adapters Exclusively for XS Extreme Service Dealers



INTERMEDIATE ADAPTERS				Dimension Inches (mm)				Weight (kg)
XS Series	Part Number	Desc.	Type	A	B	C	D	
1120	130TS1120	Intermediate Adapter (Conical Base)	1	14.25 (362)	14.37 (365)	15.79 (401)	21.46 (545)	400 (182)
	534TS1120NR	Intermediate Adapter (Conical Base)	2	12.37 (314)	14.5 (368)	14.2 (361)	19.53 (496)	386 (117)
	640TS1120	Intermediate Adapter (Posilok Base)	3	13.0 (330)	14.5 (368)	14.75 (375)	20.187 (513)	415 (188)



INTERMEDIATE ADAPTER PIN ASSEMBLY		Dimensions Inches (mm)			Weight (kg)
XS640P		A	B	C	
		12.86 (327)	2.69 (68)	3.13 (79)	17.0 (8)



XSTS12LEX - 1/2" Drive X 5" Length Locking Socket Extension
 Pin removal tool for intermediate adapter pin
 Wt. = .53 (24)



TS 1120 Series

Teeth & Adapters Exclusively for XS Extreme Service Dealers

Authorized Dealer

Hensley Industries, Inc.

2108 Joe Field Road . Dallas, Texas 75229 U.S.A.

Customer Service

(888) 406 - 6262 U.S./Canada . (972) 406 - 6262 all other locations

Hensley Attachments

A Division of Hensley Industries, Inc.

800 South Fifth . Mansfield. Texas 76063 U.S.A.

(800) 433 - 3144 . (817) 477 - 3167



SAFETY FIRST: Hensley Industries, Inc. recommends that you use a soft-faced hammer **and** ANSI-approved (Z87.1) eye protection while using our products.
Copyright © 2006 Hensley Industries, Inc.

This publication is protected under the copyright laws of the United States. Unauthorized duplication or distribution is prohibited.