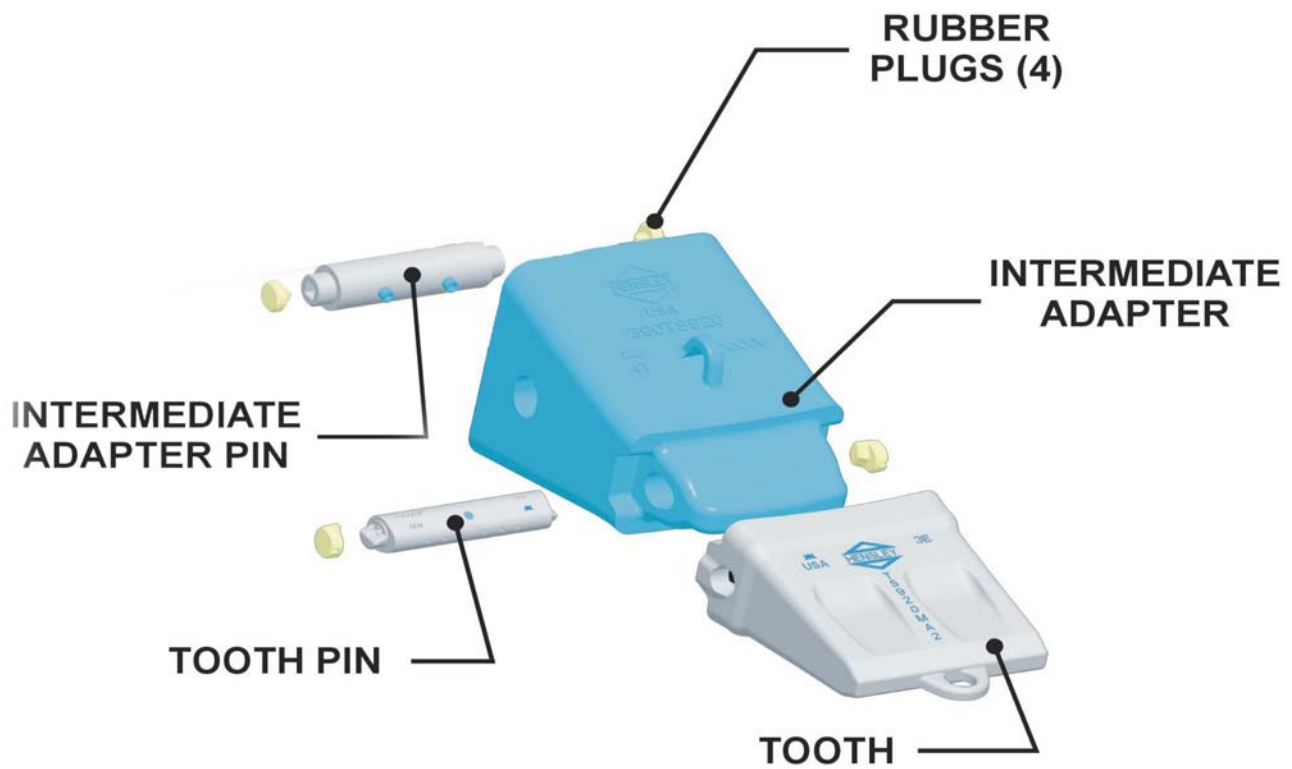




# TS 1220 Series

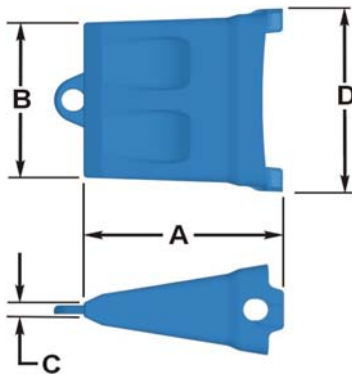
## Teeth & Adapters Exclusively for XS Extreme Service Dealers



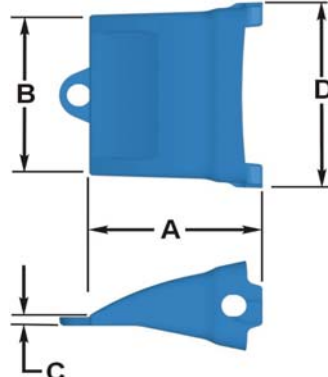


# TS 1220 Series

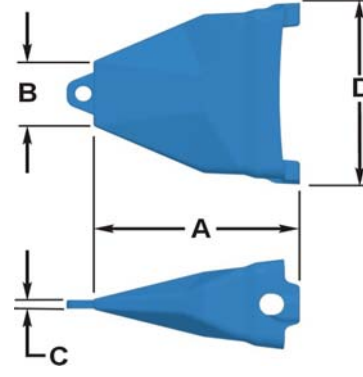
## Teeth & Adapters Exclusively for XS Extreme Service Dealers



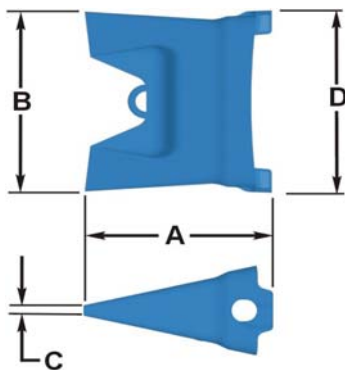
TS1220MA



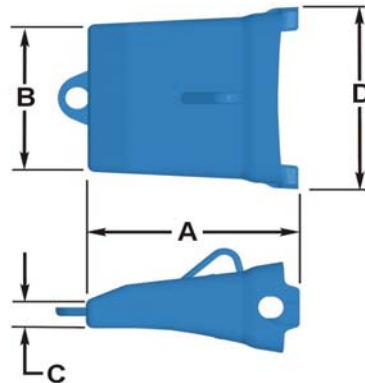
DPS Style  
(Future Development)



RC Style  
(Future Development)

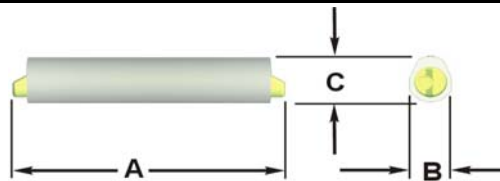


TAP Style  
(Future Development)



RML Style  
(Future Development)

TEETH									
XS Series	Part Number	Tooth Pin Assembly	Dimension Inches (mm)						Weight (kg)
			Overall Tooth						
			A	B	C	D			
TS1220	TS1120MA	TS1220P	15.50 (394)	15.00 (381)	1.77 (45)	16.43 (418)			205.0 (93)

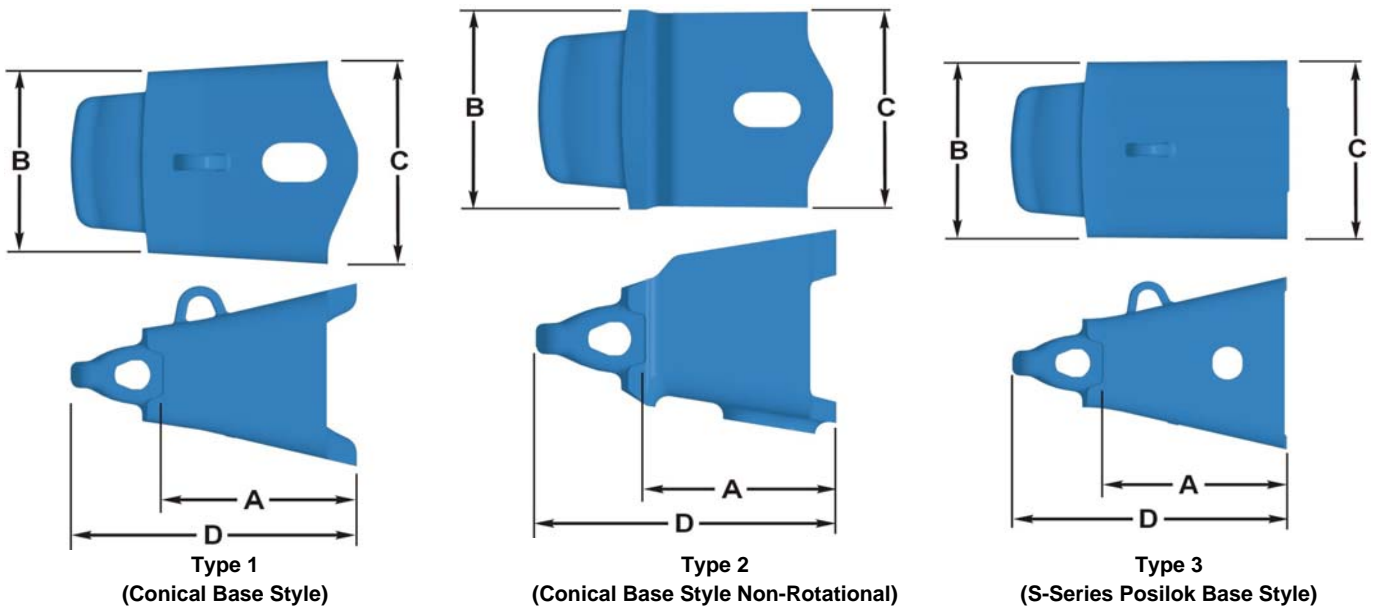


TOOTH PIN ASSEMBLY		Dimensions Inches (mm)			Weight (kg)
Part Number		A	B	C	
TS1220P	(Future Dev.)				

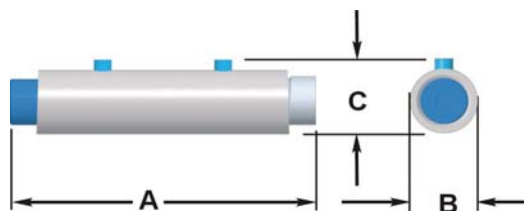


# TS 1220 Series

## Teeth & Adapters Exclusively for XS Extreme Service Dealers



INTERMEDIATE ADAPTERS				Dimension Inches (mm)					Weight (kg)
XS Series	Part Number	Desc.	Type	A	B	C	D	Lip Thickness	
1220	1800TS1220	Intermediate Adapter (Posilok Base)	3	14.25 (362)	16.0 (406.4)	16.25 (413)	22.3 (566)		565 (257)



XSxxxP (Fut. Dev.)	Dimensions Inches (mm)			Weight (kg)
	A	B	C	



# TS 1220 Series

## Teeth & Adapters Exclusively for XS Extreme Service Dealers

**Authorized Dealer**

**Hensley Industries, Inc.**

2108 Joe Field Road . Dallas, Texas 75229 U.S.A.

**Customer Service**

(888) 406 - 6262 U.S./Canada . (972) 406 - 6262 all other locations

**Hensley Attachments**

A Division of Hensley Industries, Inc.

800 South Fifth . Mansfield. Texas 76063 U.S.A.

(800) 433 - 3144 . (817) 477 - 3167



**SAFETY FIRST:** Hensley Industries, Inc. recommends that you use a soft-faced hammer **and** ANSI-approved (Z87.1) eye protection while using our products.  
Copyright © 2006 Hensley Industries, Inc.

This publication is protected under the copyright laws of the United States. Unauthorized duplication or distribution is prohibited.