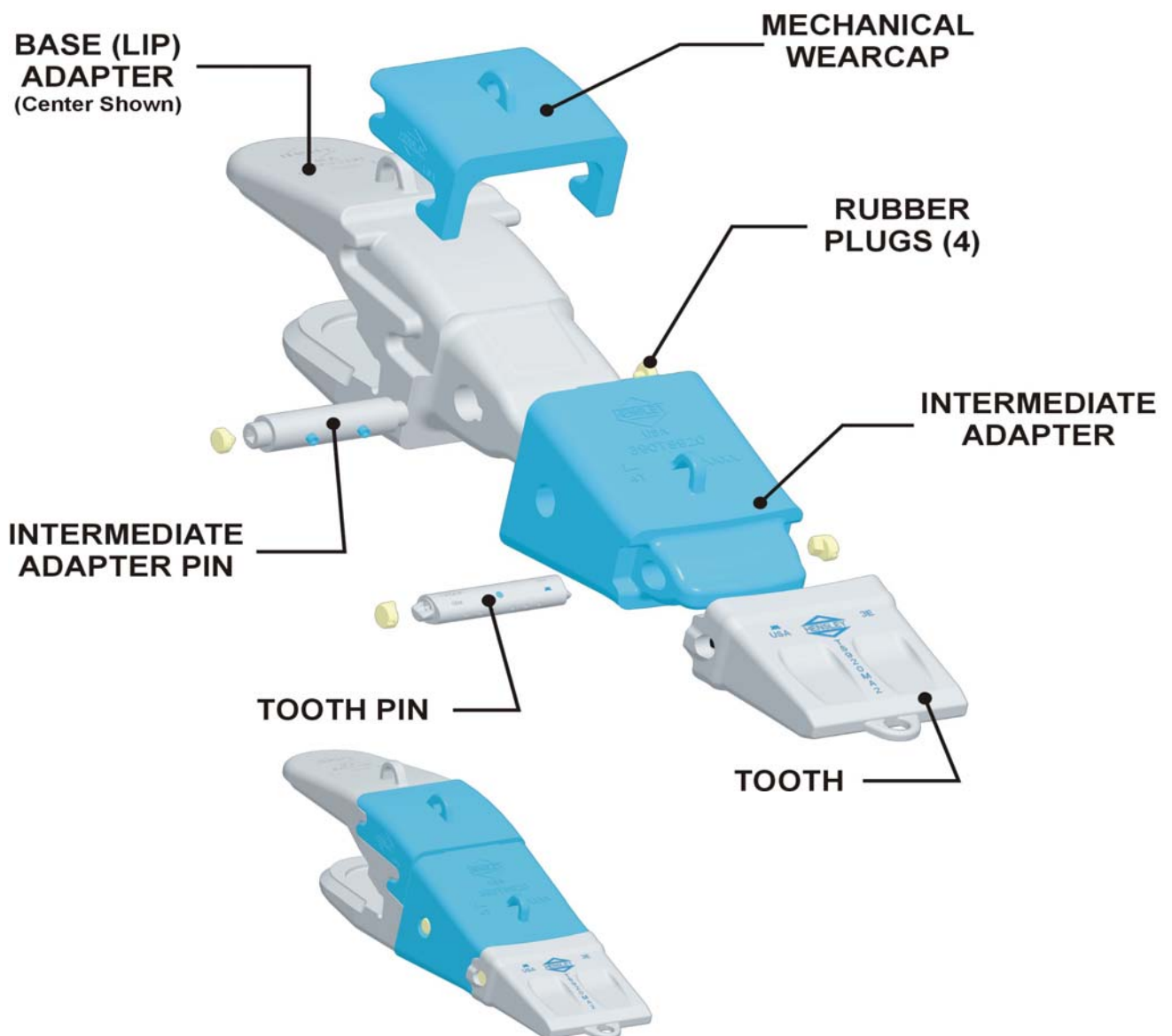




TS 920 Series

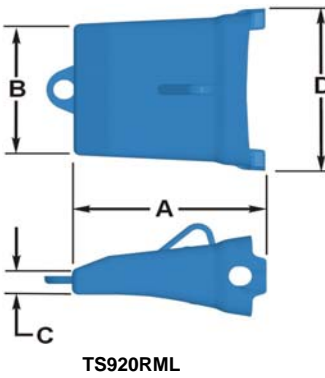
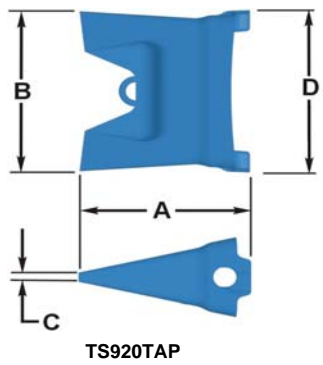
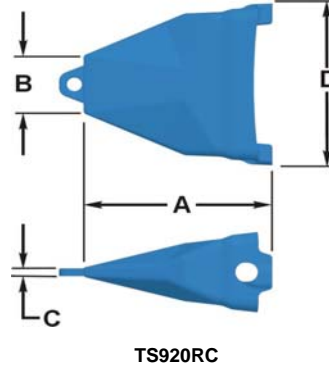
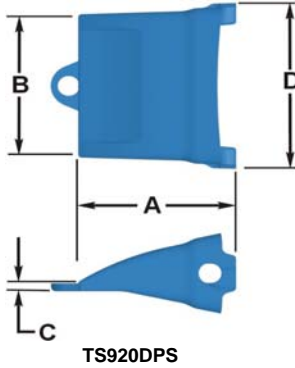
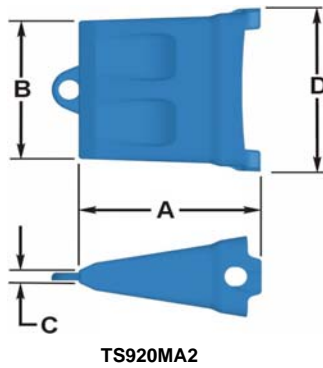
Teeth & Adapters Exclusively for XS Extreme Service Dealers



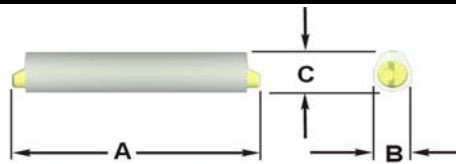


TS 920 Series

Teeth & Adapters Exclusively for XS Extreme Service Dealers



TEETH		Tooth Pin Assembly	Dimension Inches (mm)						Weight (kg)
XS Series	Part Number		Overall Tooth						
			A	B	C	D			
TS920	TS920MA2	TS920P	13.5 (343)	11.25 (286)	1.0 (25)	13.3 (338)		117.0 (53)	
	TS920DPS		11.5 (292)	11.5 (292)	.75 (19)	13.3 (338)		83.0 (38)	
	TS920RC		14.0 (356)	4.75 (121)	.75 (19)	13.3 (338)		114.0 (52)	
	TS920TAP		12.5 (318)	13.13 (333)	.75 (19)	13.3 (338)		78.0 (35)	
	TS920RML		14.13 (359)	10.75 (273)	2.0 (51)	13.3 (338)		135.0 (61)	

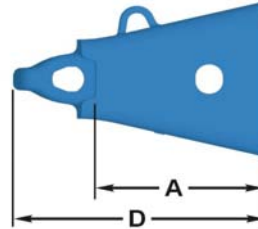
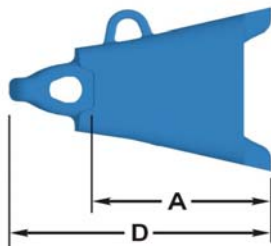
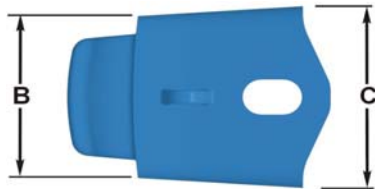


TOOTH PIN ASSEMBLY	TS920P	Dimensions Inches (mm)			Weight (kg)
		A	B	C	
		10.8 (275)	1.94 (49)	2.25 (57)	8.7 (4)



TS 920 Series

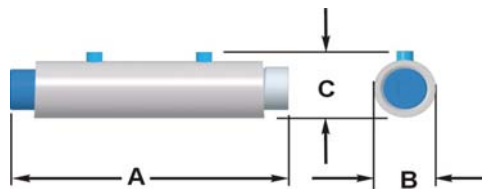
Teeth & Adapters Exclusively for XS Extreme Service Dealers



Type 1
(Conical Base Style)

Type 2
(S-Series Posilok Base Style)

INTERMEDIATE ADAPTERS				Dimension Inches (mm)				Weight (kg)
XS Series	Part Number	Desc.	Type	A	B	C	D	
TS920	110TS920	Intermediate Adapter (Conical Style)	1	12.5 (318)	12.38 (314)	13.88 (352)	18.53 (471)	263.0 (119)
	390TS920	Intermediate Adapter (Posilok Style)	2	12.0 (305)	12.5 (317)	12.75 (324)	18.0 (458)	282.0 (128)



INTERMEDIATE ADAPTER PIN ASSEMBLY	XS390P	Dimensions Inches (mm)			Weight (kg)
		A	B	C	
		11.1 (282)	2.4 (62)	2.82 (72)	12.5 (5.7)

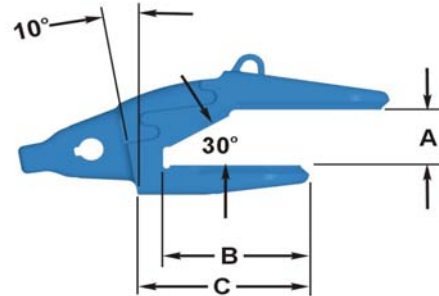
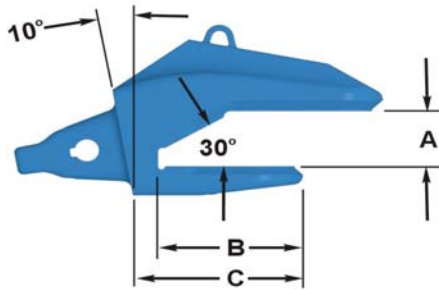
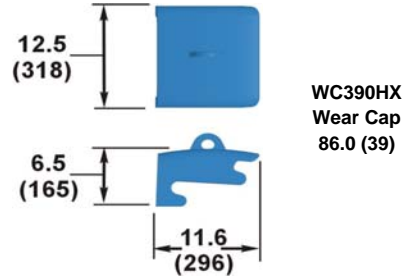


XSTS12LEX - 1/2" Drive X 5" Length Locking Socket Extension
Pin removal tool for intermediate adapter pin
Wt. = .53 (24)



TS 920 Series

Teeth & Adapters Exclusively for XS Extreme Service Dealers



Type 1 Corner
(Hensley base)

Type 2 Center
(Hensley base Shown
w/o wear cap)

BASE (LIP) ADAPTERS				Dimension Inches (mm)					Weight (kg)
XS Series	Part Number	Desc.	Type	Lip Thickness	A	B	C	D	
TS920	163XS390C	Base Adapter Corner	1	6.30 (160)	6.46 (164)	15.25 (387)	17.88 (454)	12.0 (305)	770.0 (350)
	A160XS390	Base Adapter Center Assm. w/ WC390HX	2	6.30 (160)	6.46 (164)	15.25 (387)	17.88 (454)	12.0 (305) w/o wear cap	590.0 (268) w/o wear cap

Authorize Dealer

Hensley Industries, Inc.
2108 Joe Field Road . Dallas, Texas 75229 U.S.A.
Customer Service
(888) 406 - 6262 U.S./Canada . (972) 406 - 6262 all other locations
Hensley Attachments
A Division of Hensley Industries, Inc.
800 South Fifth . Mansfield, Texas 76063 U.S.A.
(800) 433 - 3144 . (817) 477 - 3167



SAFETY FIRST: Hensley Industries, Inc. recommends that you use a soft-faced hammer and ANSI-approved (Z87.1) eye protection while using our products.
Copyright © 2006 Hensley Industries, Inc.

This publication is protected under the copyright laws of the United States. Unauthorized duplication or distribution is prohibited.