



Lifting Eyes For Excavator Buckets

**Designed With
Safety In Mind**

Each lifting eye design has been tension tested for safety at four times its load capacity without failure. GH Hensley lifting eyes must be used **ONLY** on those machines that have a lifting capacity which is less than the recommended maximum load limits. In order to assure utmost safety, proper welding procedures must be followed when attaching the lifting eye to the bucket.

**Part
Number**

**To Be Used On Excavators
With The Following Maximum Lifting Capacities**

1025HX

10,000 to 20,000 lbs. (4,536 to 9,072 kgs.)

2030HX

20,000 to 30,000 lbs. (9,072 to 13,608 kgs.)

3040HX

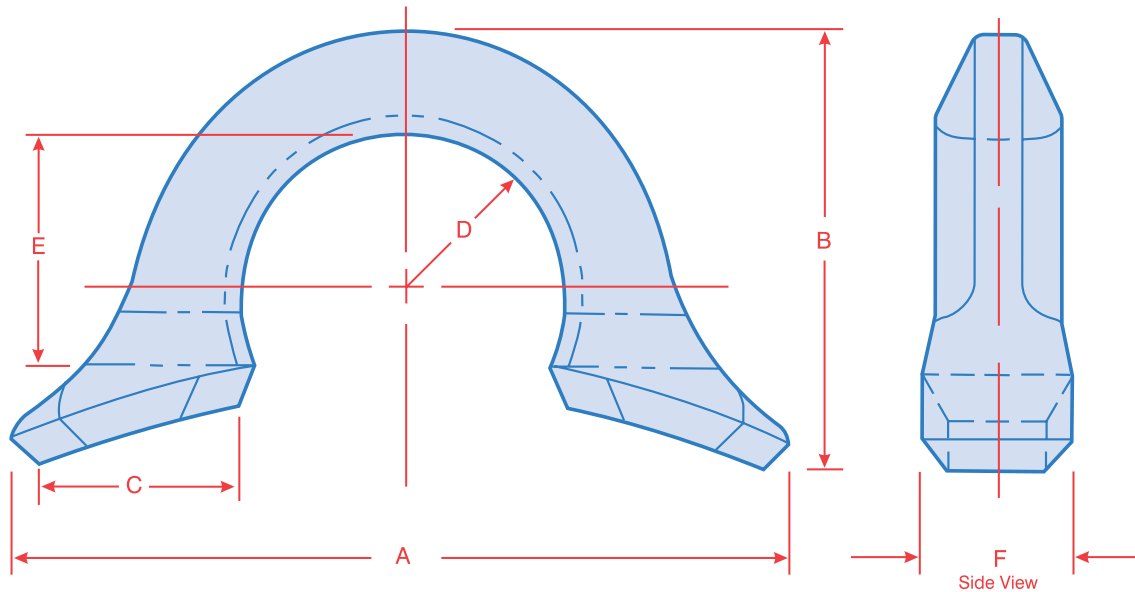
30,000 to 40,000 lbs. (13,608 to 18,144 kgs.)

4050HX

40,000 to 50,000 lbs. (18,144 to 22,680 kgs.)

5060HX

50,000 to 60,000 lbs. (22,680 to 27,216 kgs.)



measurements in inches * ; mm ()

Part No.	A	B	C	D (radius)	E	F	Weight	
							Ibs.	kgs.
1025HX	8 1/2" (216)	4 3/4" (121)	2 1/8" (54)	1 3/4" (44)	2 3/4" (70)	1 5/8" (41)	4.4	2.0
2030HX	11 5/16" (287)	6 3/8" (162)	2 15/16" (75)	2 3/8" (60)	3 5/8" (92)	2 1/8" (54)	10.0	4.5
3040HX	14 1/8" (359)	7 11/16" (195)	3 9/16" (90)	3" (76)	4 3/8" (111)	2 5/8" (67)	18.4	8.3
4050HX	17" (432)	9 9/16" (243)	4 1/2" (114)	3 9/16" (90)	5 5/16" (136)	3 3/16" (81)	34.0	15.4
5060HX	20 3/8" (518)	11 1/2" (292)	5 3/8" (137)	4 1/4" (108)	6 3/8" (162)	3 13/16" (97)	61.0	27.7

Safety First: Hensley Industries recommends that you use a soft-faced hammer and ANSI-approved (Z87.1) eye protection while using our products.

Form 1eye 8-97

Hensley Industries, Inc.
2108 Joe Field Road; Dallas, Texas 75229, U.S.A.
Customer Service: Tel. (888) 406-6262; Fax (888) 241-3274