



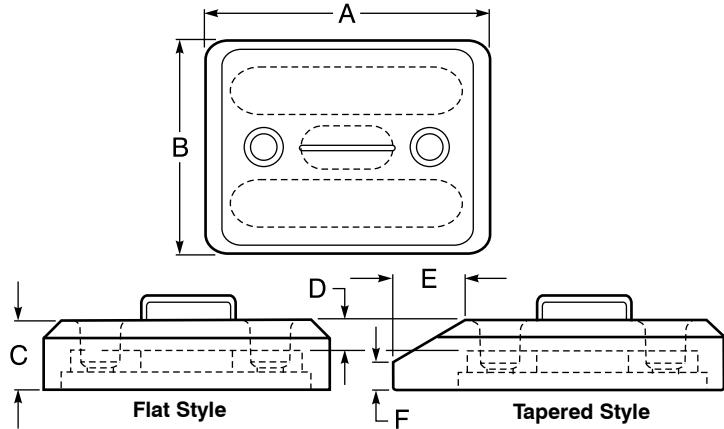
BOLT-ON WEAR RUNNERS and BASES

- SPECIFICS:**
- High-wear area protection
 - Extends equipment life
 - Fast and easy change-outs
 - Bolt-on design

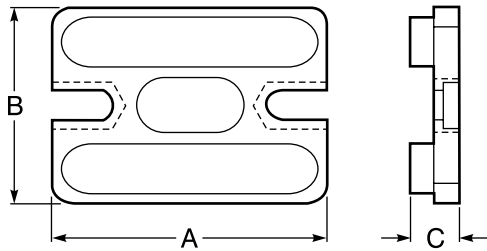
Hensley Wear Runners are designed for high-wear areas on all your earth-moving/earth-hauling equipment and for greatly reducing down time during change-outs. After initial installation of wear runner weld-on base, change-outs are fast and easy with Hensley's bolt-on design. For speed and ease in change-outs and extended life for all your equipment, switch to **Hensley Wear Runners** today.



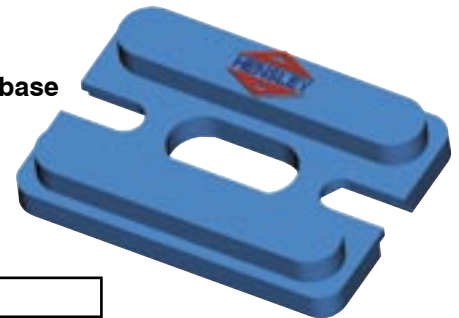
wear runner
(handle not shown)



WEAR RUNNER	STYLE	A	B	C	D	E	F	WEIGHT lbs./kgs.	BASE	FASTENER
B10X10WR275	Flat	10" (254)	10" (254)	2-3/4" (70)	1" (25)	NA	NA	40.0 / 18.1	10X10B	115BN
B10X10WR5	Flat	10" (254)	10" (254)	5" (127)	3" (76)	NSA	NA	100.0 / 45.4	10X10B	115BN
B12X9WR	Flat	12" (305)	9" (229)	3" (76)	1-1/4" (32)	NA	NA	49.0 / 22.2	12X9B	115BN
B12X9WR4	Flat	12" (305)	9" (229)	4" (102)	2-1/4" (57)	NA	NA	73.0 / 33.1	12X9B	115BN
B14X9WR275T	Tapered	14" (356)	9" (229)	2-3/4" (70)	1" (25)	3" (76)	1-1/4" (32)	52.5 / 23.8	12X9B	115BN
B14X10WR275T	Tapered	14" (356)	10" (254)	2-3/4" (70)	1" (25)	3" (76)	1-1/4" (32)	58.0 / 26.3	12X10B	115BN
B14X10WR4T	Tapered	14" (356)	10" (254)	3-15/16" (100)	1-15/16" (49)	2-3/4" (70)	1-1/4" (32)	97.8 / 44.4	12X10B	115BN



wear runner base



BASE	A	B	C	WEIGHT lbs./kgs.	WEAR RUNNER
10X10B	10" (254)	10" (254)	1-3/4" (44)	24.0 / 10.9	B10X10WR275 / B10X10WR5
12X9B	12" (305)	9" (229)	1-3/4" (44)	22.0 / 9.9	B12X9WR / B12X9WR4 / B14X9WR275T
12X10B	12" (305)	10" (254)	1-3/4" (44)	28.0 / 12.7	B14X10WR275T

SAFETY FIRST: Hensley recommends a soft-faced hammer and ANSI-approved (Z87.1) eye protection while using our products.

YOUR AUTHORIZED HENSLEY DEALER

Hensley Industries, Inc.

2108 Joe Field Road
Dallas, TX 75229

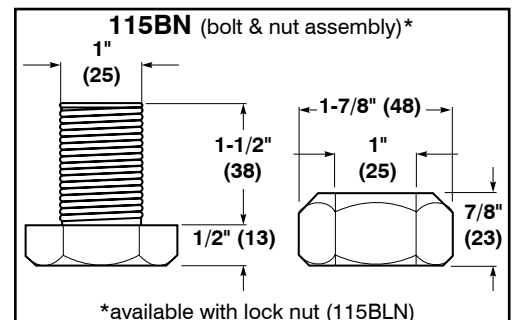
Customer Service

Toll Free U.S./Canada (888) 406-6262
All other Locations (972) 406-6262

Hensley Attachments

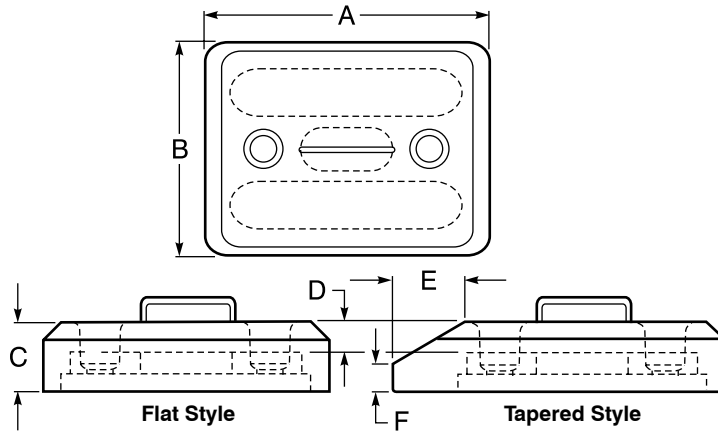
(800) 433-3144
(817) 477-3167

www.hensleyind.com

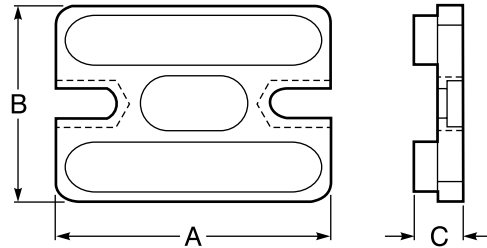


Copyright © 2006 Hensley Industries, Inc.
This publication is protected under the copyright laws of the United States.
Unauthorized duplication or distribution is prohibited.

NEW BOLT-ON WEAR RUNNERS and BASES



WEAR RUNNER	STYLE	A	B	C	D	E	F	WEIGHT lbs./kgs.	BASE	FASTENER	
B8X8WR175	Flat	8" (203)	8" (203)	1-3/4" (44)	3/4" (19)	NA	NA	20.0	9.1	8X8B	58X125BN
B10X8WR175	Flat	10" (254)	8" (203)	1-3/4" (44)	3/4" (19)	NA	NA	25.5	11.6	10X8B	58X125BN
B12X12WR	Flat	12" (305)	12" (305)	2-15/16" (75)	1-1/8" (29)	NA	NA	71.8	32.6	12X12B	115BN
B14X9WR4T	Tapered	14" (356)	9" (229)	3-15/16" (100)	1-15/16" (49)	2-3/4" (70)	1-1/4" (32)	94.3	42.8	12X9B	115BN



BASE	A	B	C	WEIGHT lbs./kgs.		WEAR RUNNER
8X8B	6-7/8" (175)	6-7/8" (175)	29/32" (23)	6.4	2.9	B8X8WR175
10X8B	8-7/8" (225)	6-7/8" (175)	29/32" (23)	10.2	4.6	B10X8WR175
12X12B	10-3/8" (263)	10-3/8" (263)	1-13/16" (46)	36.4	16.5	B12X12WR

