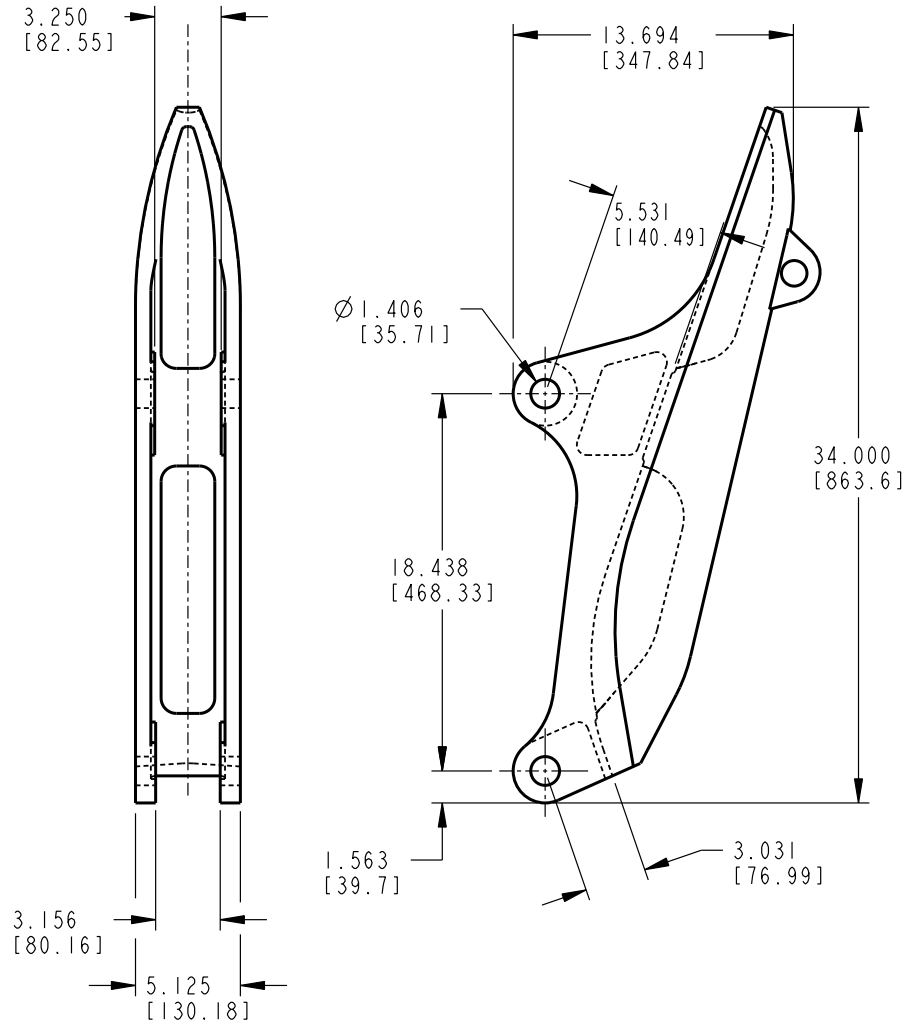


NEW

Heavy Shank Guard for Komatsu D375 Dozers



Part #: 195-78-72410HHX

Description: Heavy duty shank guard with sharp edge.

Weight: 116.0 lbs (52.7 kgs.)

Specifics: For Komatsu D375 dozers.

Uses (2) 092-44-03036P fasteners.

Can replace shank guard 195-78-72410HX

Hensley Customer Service

Toll Free US / Canada
Phone: (888) 406-6262
Fax: (888) 241-3274

All Other Locations
Phone: (972) 406-6262
Fax: (972) 241-3274

www.hensleyind.com

Safety first: Hensley Industries recommends that you use a soft-face hammer and ANSI-approved (Z87.1) eye protection when using our products.

© 2009 Hensley Industries, Inc.

Access to any specific item is subject to your individual dealer classification.