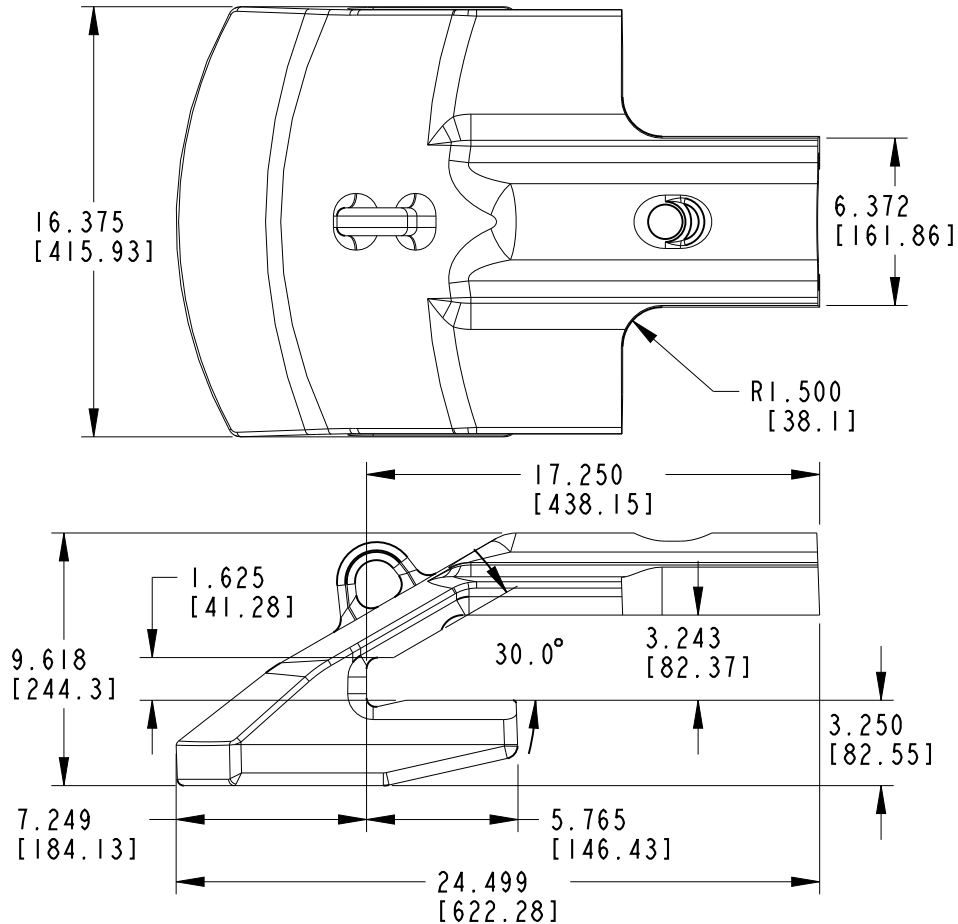


NEW

J-Bolt Lip Shroud



Part #: LS300-1600J. Center option to 109-2675NRHX bolt-on segment.

Description: Lip Shroud, Center

Weight: 277.0 lbs (125.8 kgs.)

Specifics: J-bolt lip shroud designed for use on WA800/900 loaders. Uses LSWB8 weld base and SFA1J4 j-bolt assembly.

Hensley Customer Service

Toll Free US / Canada
Phone: (888) 406-6262
Fax: (888) 241-3274

All Other Locations
Phone: (972) 406-6262
Fax: (972) 241-3274

www.hensleyind.com

Safety first: Hensley Industries recommends that you use a soft-face hammer and ANSI-approved (Z87.1) eye protection when using our products.

© 2010 Hensley Industries, Inc.

Access to any specific item is subject to your individual dealer classification.