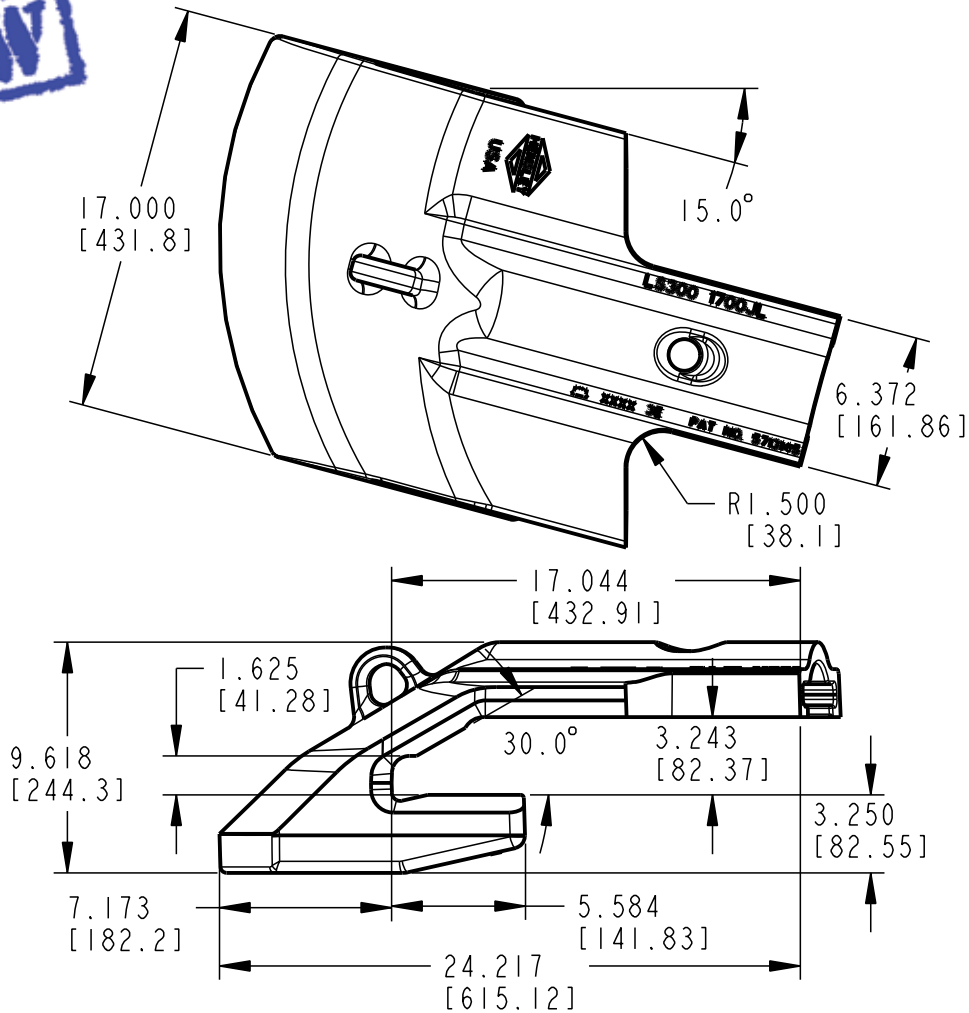


**NEW**

## J-Bolt Lip Shroud



Part #: LS300-1700JL (LH shown) option to 109-2677NRHX bolt-on segment.  
LS300-1700JR (RH opposite) option to 109-2676NRHX bolt-on segment.

Description: Lip Shroud

Weight: 294.0 lbs (133.5 kgs.)

Specifics: J-bolt lip shroud designed for use on WA800/900 loaders.  
Uses LSWB8 weld base and SFA1J4 j-bolt assembly.

### Hensley Customer Service

Toll Free US / Canada  
Phone: (888) 406-6262  
Fax: (888) 241-3274

All Other Locations  
Phone: (972) 406-6262  
Fax: (972) 241-3274

[www.hensleyind.com](http://www.hensleyind.com)

Safety first: Hensley Industries recommends that you use a soft-face hammer and ANSI-approved (Z87.1) eye protection when using our products.

© 2010 Hensley Industries, Inc.

Access to any specific item is subject to your individual dealer classification.