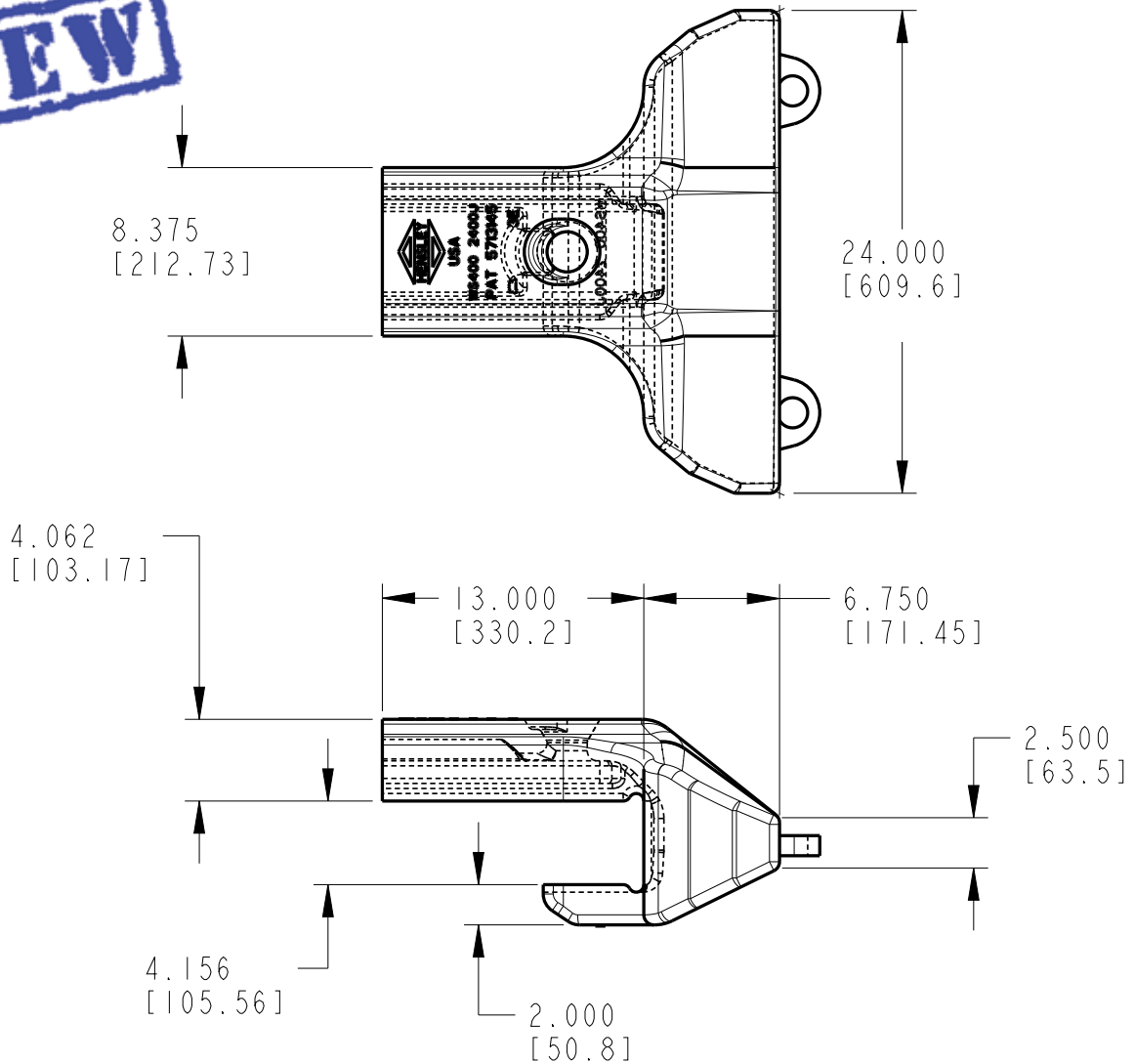


**PRODUCT
NEWS**



Wing Shroud

NEW



Part #: WS400-2400J
Description: Wing shroud
Weight: 340.0 lbs (154.4 kgs.)
Specifics: Wing shroud. Desinged for use on PC4000 face shovel with a cheek plate thickness of 4" (101.6mm). Uses weld base LSWB-6 and J-bolt assembly SFA125J6.

Hensley Customer Service

Toll Free US / Canada
Phone: (888) 406-6262
Fax: (888) 241-3274

All Other Locations
Phone: (972) 406-6262
Fax: (972) 241-3274

www.hensleyind.com

Safety first: Hensley Industries recommends that you use a soft-face hammer and ANSI-approved (Z87.1) eye protection when using our products.

© 2011 Hensley Industries, Inc.

Access to any specific item is subject to your individual dealer classification.

**PRODUCT
NEWS**