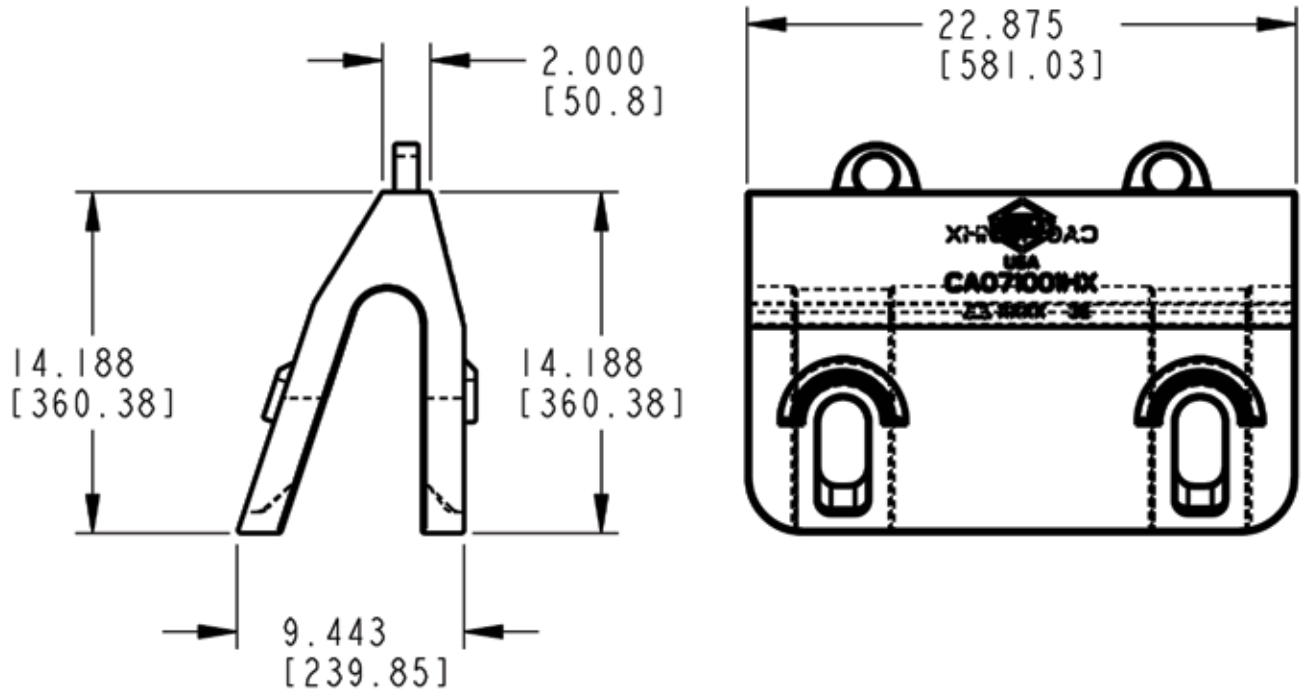


**PRODUCT
NEWS**



Upper Wing Shroud for BE495

NEW



Part #: CA071001HX
Description: Upper Wing Shroud
Weight: 312.0 lbs (141.6 kgs.)
Specifics: Replaces Castech Part# CA071001 on BE495 with Castech lip. Uses CA072101SP spool and CA072001W wedge.

Hensley Customer Service

Toll Free US / Canada
Phone: (888) 406-6262
Fax: (888) 241-3274

All Other Locations
Phone: (972) 406-6262
Fax: (972) 241-3274

www.hensleyind.com

Safety first: Hensley Industries recommends that you use a soft-face hammer and ANSI-approved (Z87.1) eye protection when using our products.

© 2010 Hensley Industries, Inc.

Access to any specific item is subject to your individual dealer classification.

**PRODUCT
NEWS**