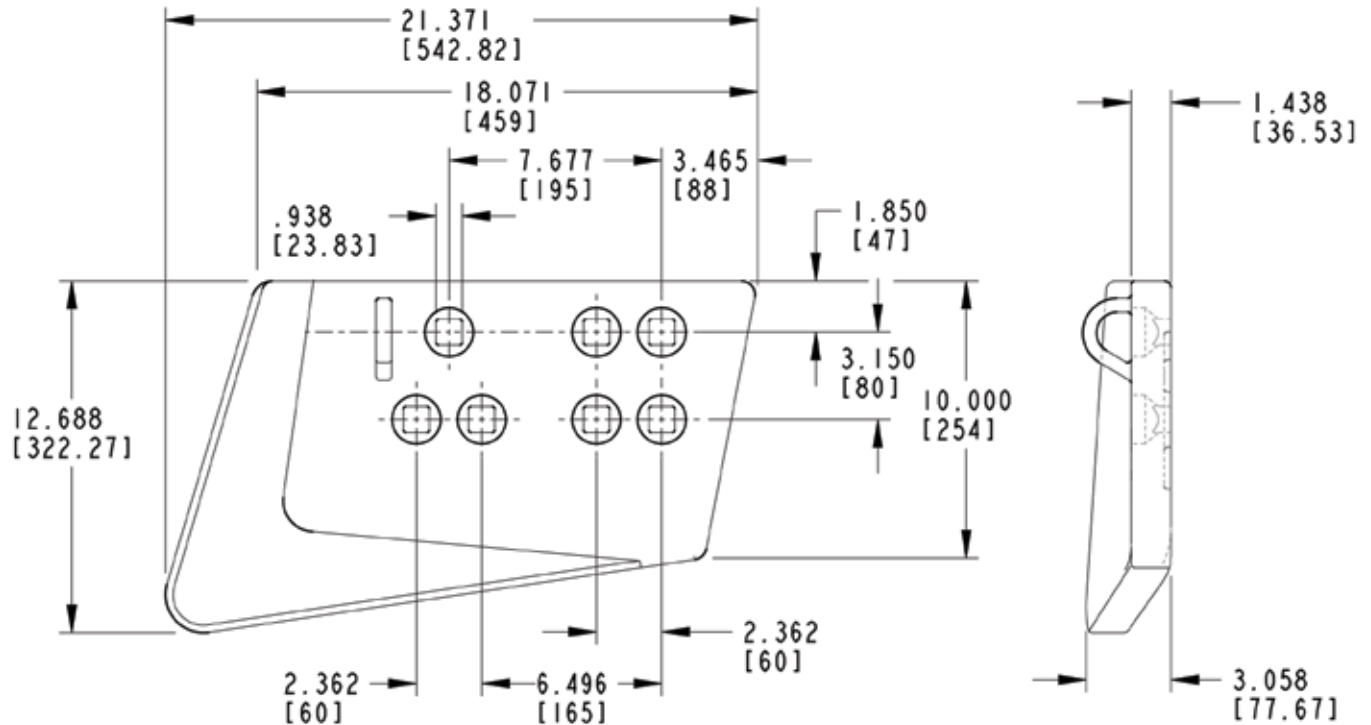


NEW

Komatsu D155 Cast End Bits



Part #: 1757122282HX (rh) shown
1757122272HX (lh) opposite

Description: Cast end bits.

Weight: 83.0 lbs (37.7 kgs.)

Specifics: End bits for Komatsu D155 dozer.
Utilizes A78-412 plow bolt assemblies.

Hensley Customer Service

Toll Free US / Canada
Phone: (888) 406-6262
Fax: (888) 241-3274

All Other Locations
Phone: (972) 406-6262
Fax: (972) 241-3274

www.hensleyind.com

Safety first: Hensley Industries recommends that you use a soft-face hammer and ANSI-approved (Z87.1) eye protection when using our products.

© 2010 Hensley Industries, Inc.

Access to any specific item is subject to your individual dealer classification.