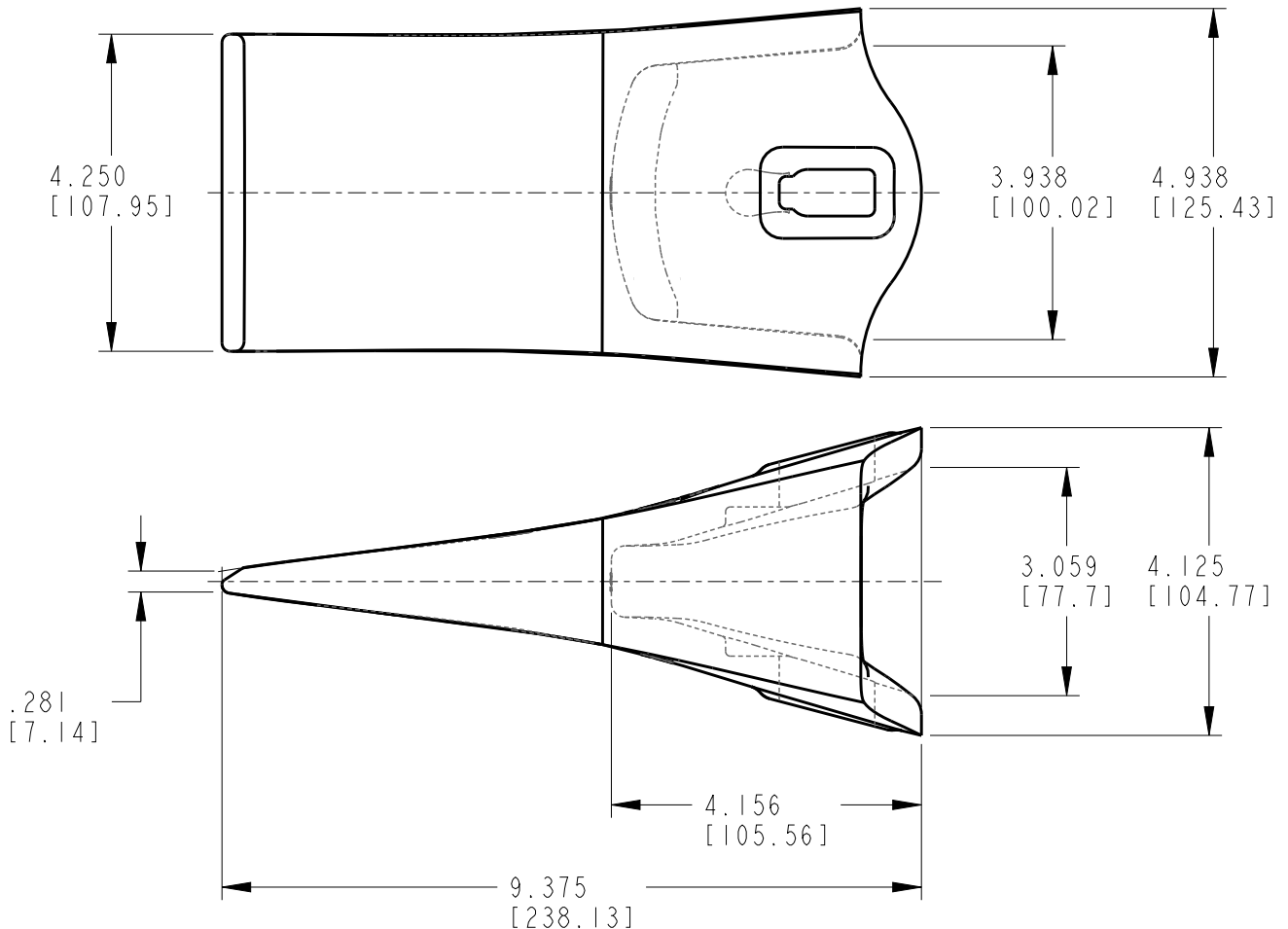


**PRODUCT
NEWS**



NEW

DURA ESCO® STYLE REPLACEMENT TOOTH



Part #: D40S
Description: Standard tooth, Dura
Weight: 12.3 lbs (5.6 kgs.)
Specifics: Dura brand replacement for Esco®
Conical 40 series standard tooth.

Hensley Customer Service

Toll Free US / Canada
Phone: (888) 406-6262
Fax: (888) 241-3274

All Other Locations
Phone: (972) 406-6262
Fax: (972) 241-3274

Esco is a registered trademark
of the Esco Corporation.

www.hensleyind.com

Safety first: Hensley Industries recommends that you use a soft-face hammer and
ANSI-approved (Z87.1) eye protection when using our products.

© 2011 Hensley Industries, Inc.

Access to any specific item is subject to your individual dealer classification.

**PRODUCT
NEWS**