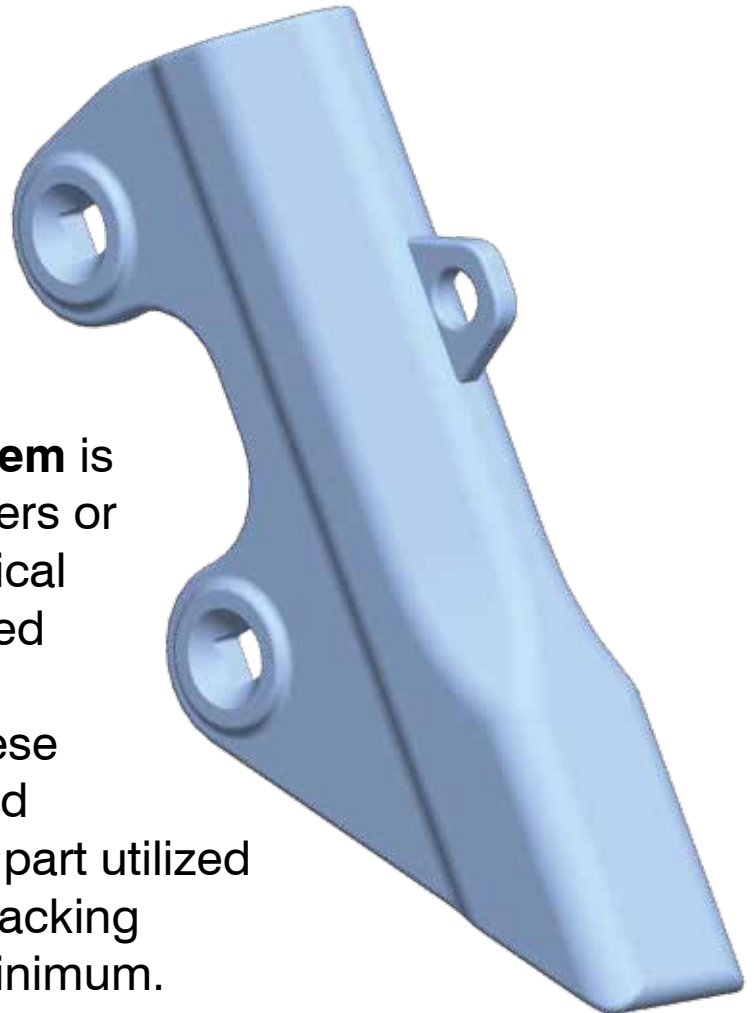




RVS Protector System for Loaders and Excavators

RVS

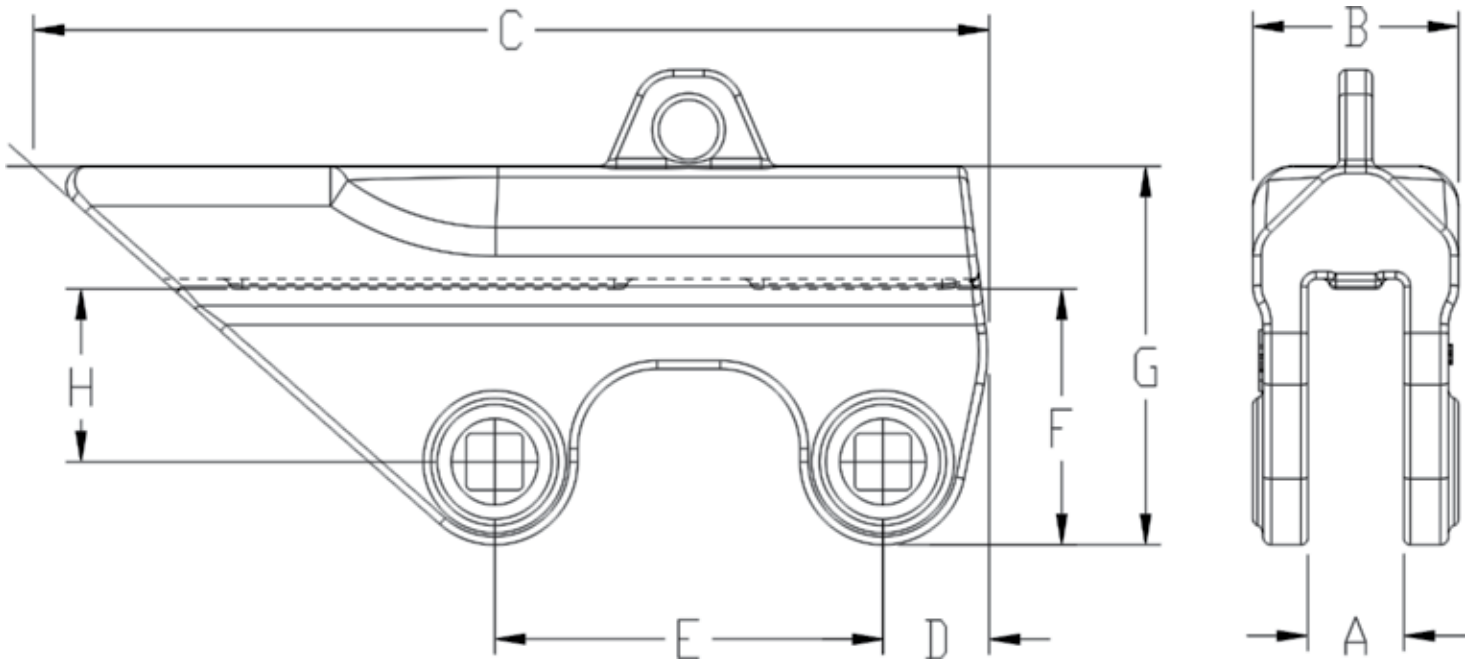
The Hensley **RVS Protector System** is now available. Designed for loaders or excavators, these **Reversible Vertical Shrouds** are designed to be utilized on either side of the bucket lower blade to protect your bucket. These vertical shrouds eliminate the need for weld-on shroud mounts. One part utilized in tandem with RH and LH plus stacking keeps the number of parts to a minimum.



RVS Protector System Features

- Fits both left and right hand side of bucket.
- Stackable.
- No welding.
- Uses standard plow bolts with cone nuts.
- Fits 25mm through 65mm cheek plates.
- Does not require plugs or pins.
- Reduces number of stocked parts needed.

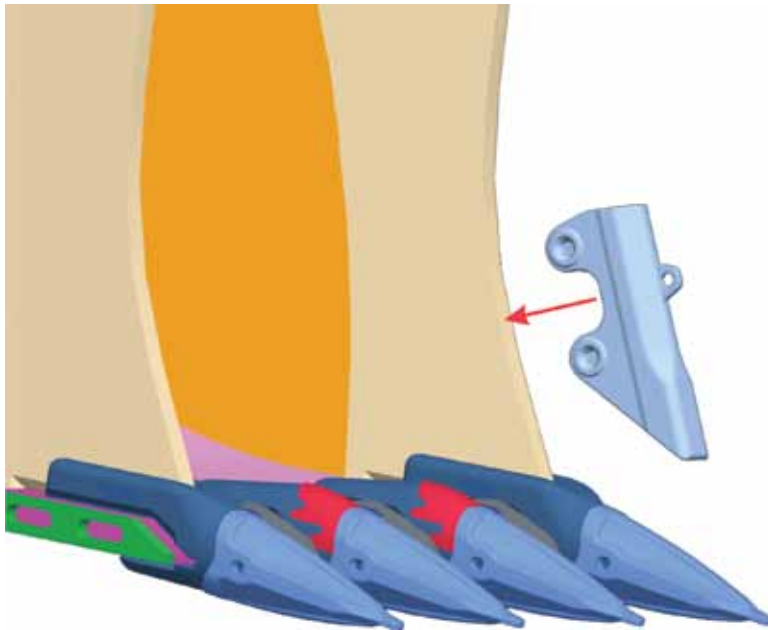
RVS Shrouds



Part Number	Lower Blade Thickness	Weight Lbs.	Dimensions - Inches (MM)								Plow Bolt Assembly
			A	B	C	D	E	F	G	H	
VS25	1 (25)	25	1.063 (25)	2.75 (69)	13.5 (342)	1.48 (37)	5.50 (139)	3.8 (98)	5.75 (146)	2.44 (61)	AC10312
VS30	1.25 (30)	25	1.3 (33)	3 (76)	13.5 (342)	1.5 (38)	5.50 (139)	3.8 (98)	5.75 (146)	2.44 (61)	AC10400
VS40	1.5 (40)	49.7	1.6 (42)	3.625 (92)	18 (457)	2 (50)	7.28 (185)	4.9 (124)	7.125 (180)	3.34 (84)	AC10412
VS45	1.75 (45)	55	1.8 (46)	3.875 (98)	18 (457)	2 (50)	7.31 (185)	4.8 (122)	7.125 (180)	3.25 (82)	AC10412
VS50	2 (50)	90	2.094 (50)	4.125 (104)	22.5 (571)	2.5 (63)	9.125 (231)	6 (152)	8.875 (225)	4.063 (103)	AC10500
VS65	2.5 (65)	98	2.594 (65)	4.6 (119)	22.5 (571)	2.5 (63)	9.125 (231)	6 (152)	8.875 (225)	4.063 (103)	AC10512

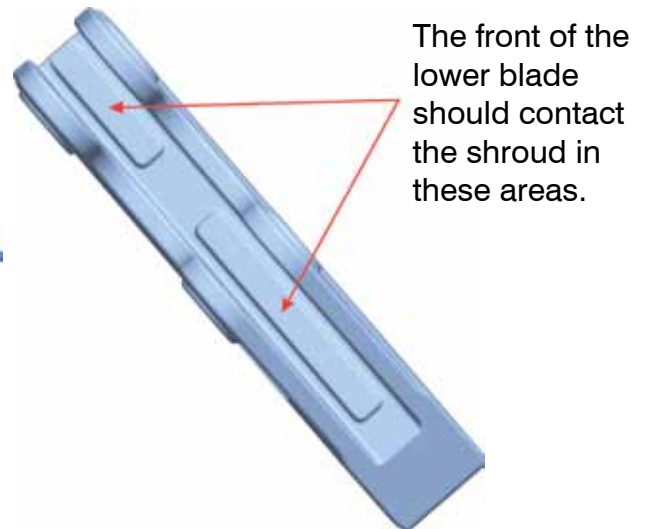
RVS Shroud Installation Instructions for Retrofitting Loader or Excavator Buckets

(excavator bucket shown for illustrative purposes)



STEP 1

Start the installation with the lower shroud position. You may start on either the left or right hand side. Place shroud as shown onto the lower blade. Make sure shroud bottoms out against the cheek plate.



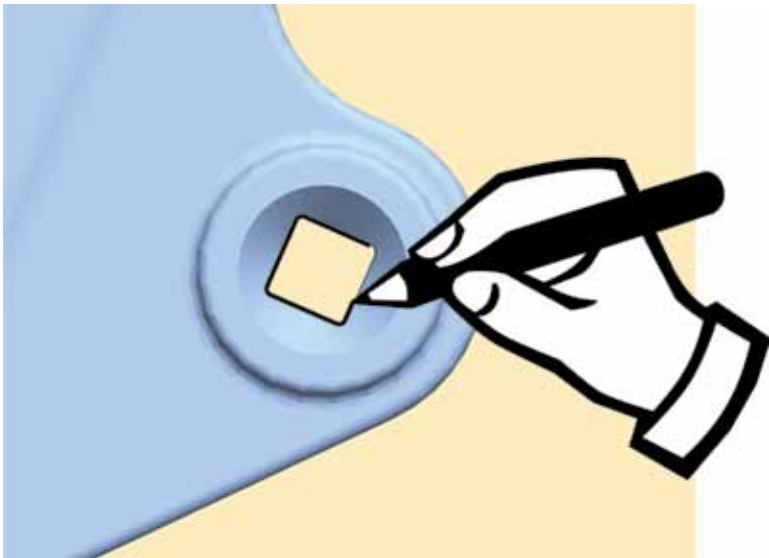
The front of the lower blade should contact the shroud in these areas.

Once the shroud is on the lower blade and has bottomed out, lower the shroud towards the corner adapter until a gap of 1/4" - 1/2" is reached. This gap must be maintained during the rest of the installation.

1/4" - 1/2" gap

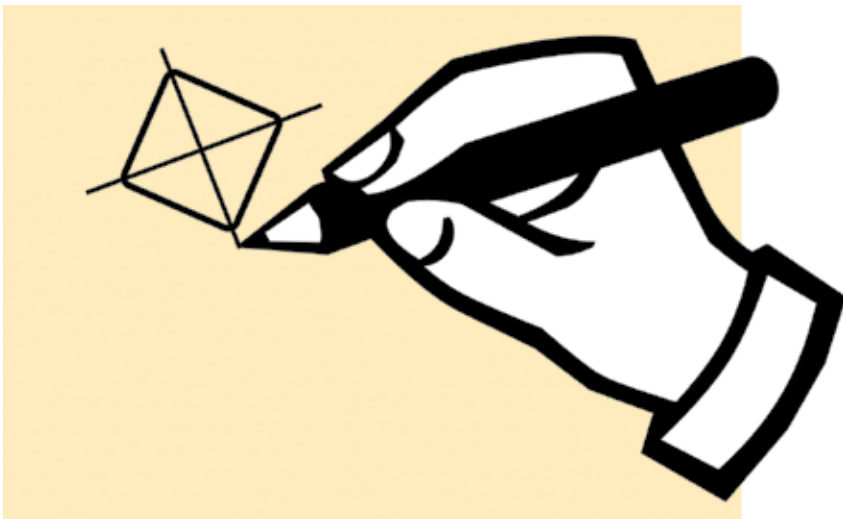


RVS Shroud Installation - continued

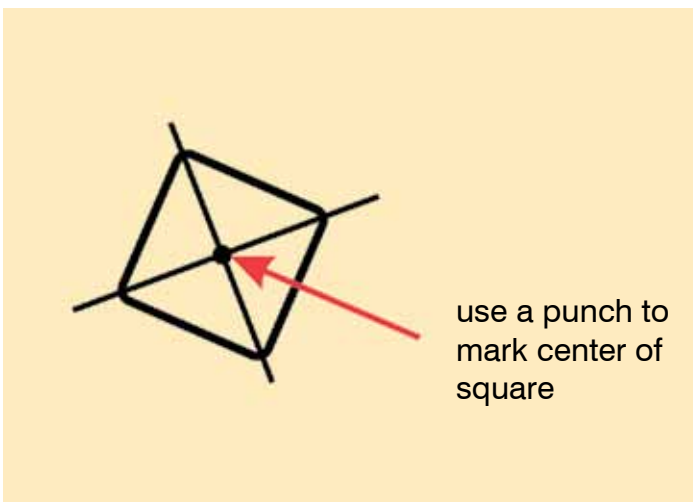


STEP 2

While maintaining the 1/4" - 1/2" gap between the bottom of the shroud and the top of the adapter, use 'soapstone'/chalk to trace the square holes of the shroud on the **outside** of the bucket.



Remove the shroud and draw diagonal 'soapstone'/chalk lines from each corner of the square.

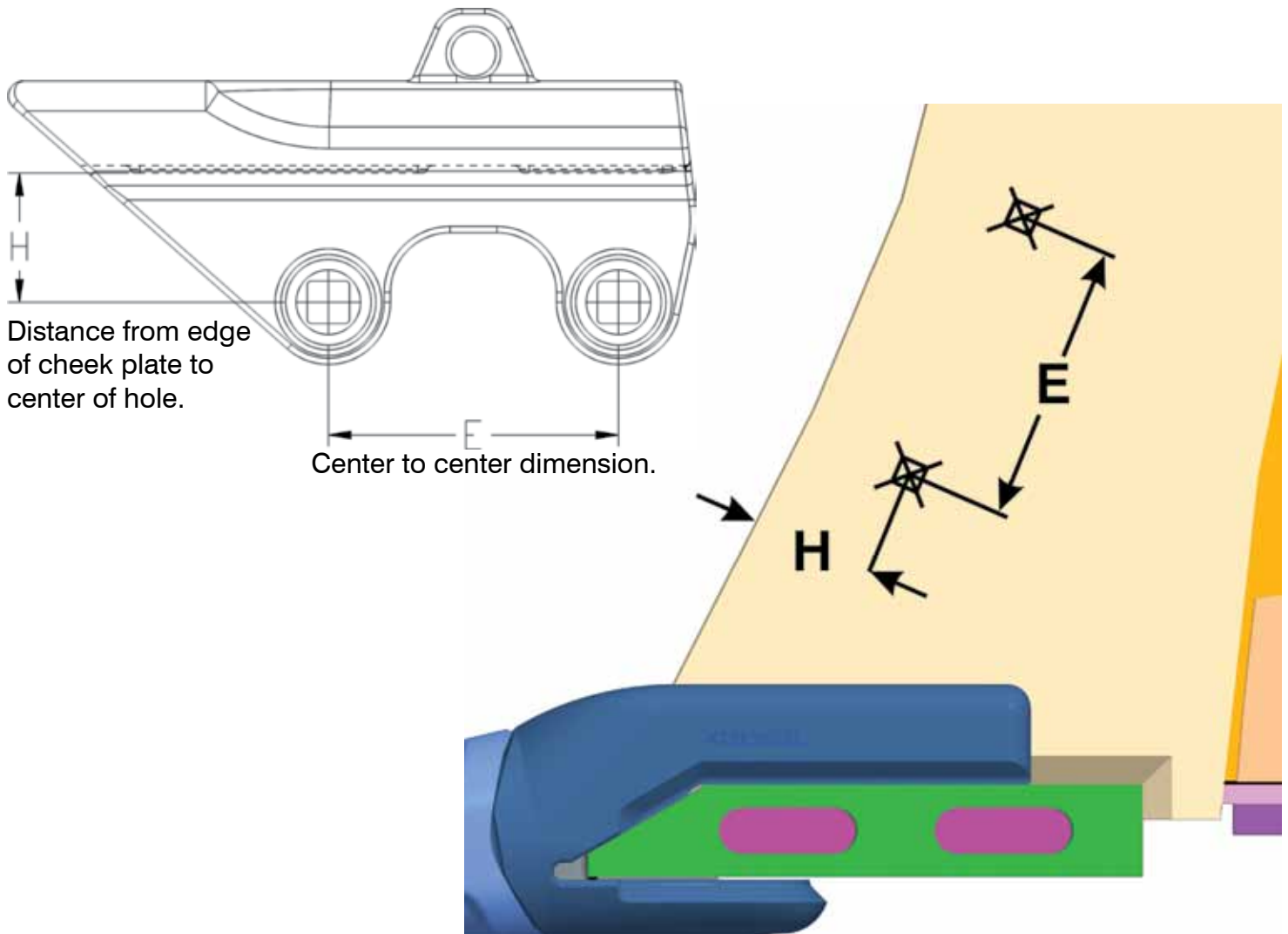


The intersection of these lines is the center of the square. Use a center punch to mark this point.

RVS Shroud Installation - continued

STEP 3

Verify the indicated dimensions (refer back to shroud dimensions table) to the center of the punched marks on the bucket.



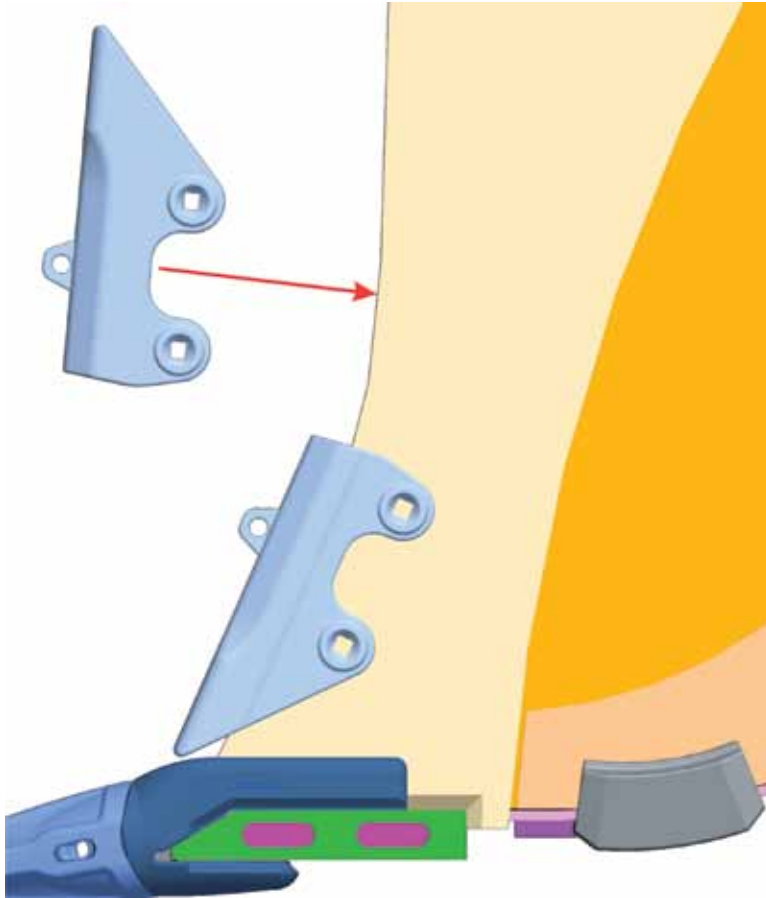
Once the dimensions have been confirmed, at each center mark drill a 1-1/16" diameter hole using a magnetic drill. Install the proper plow bolt assembly (refer back to shroud dimensions table for this assembly). A cone nut is required for this installation. Torque to 500 ft-lb minimum and 600 ft-lb maximum.

To install the shroud for the lower position on the opposite lower blade, repeat steps 1 - 3.

SPECIAL NOTE: It may not always be necessary to install a shroud in the upper position. If it is deemed necessary, please refer to the following pages for installation instructions.

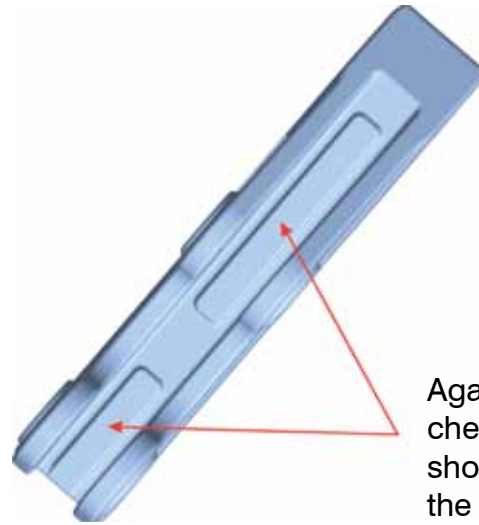
RVS Upper Shroud Installation - continued

INSTALLING A SHROUD IN THE UPPER POSITION



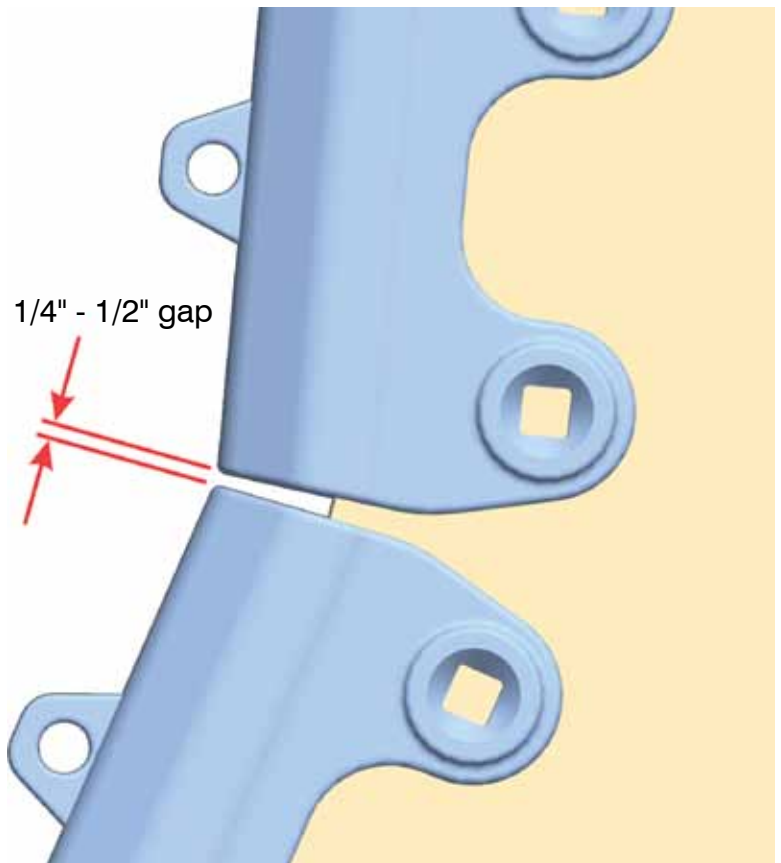
STEP 1

You may start on either the left or right hand side. Place shroud as shown onto the cheek plate. Make sure shroud bottoms out against the cheek plate.

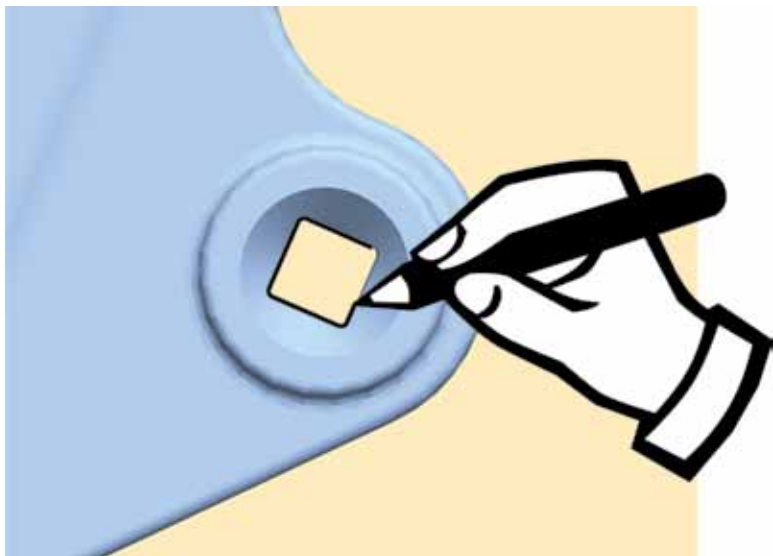


Again, the cheek plate should contact the shroud in these areas.

Once the shroud is on the cheek plate and has bottomed out, move the shroud towards the lower shroud until a gap of 1/4" - 1/2" is reached. This gap must be maintained during the rest of the installation.

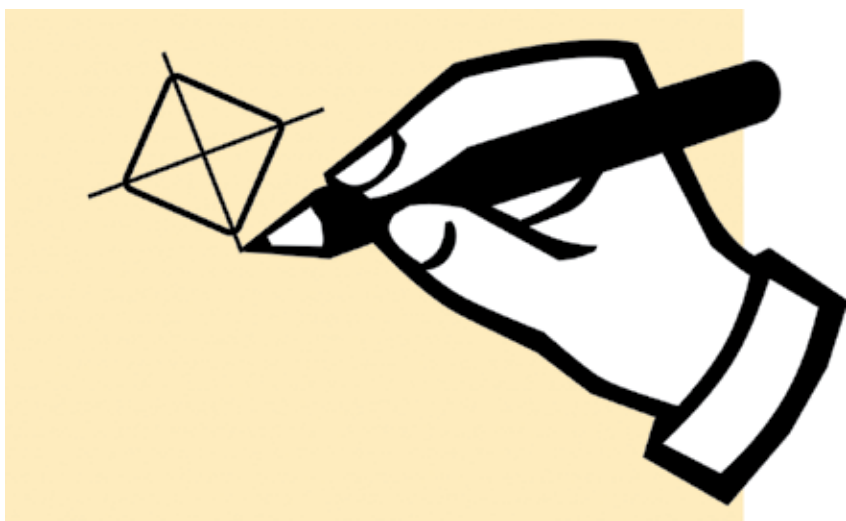


RVS Upper Shroud Installation - continued

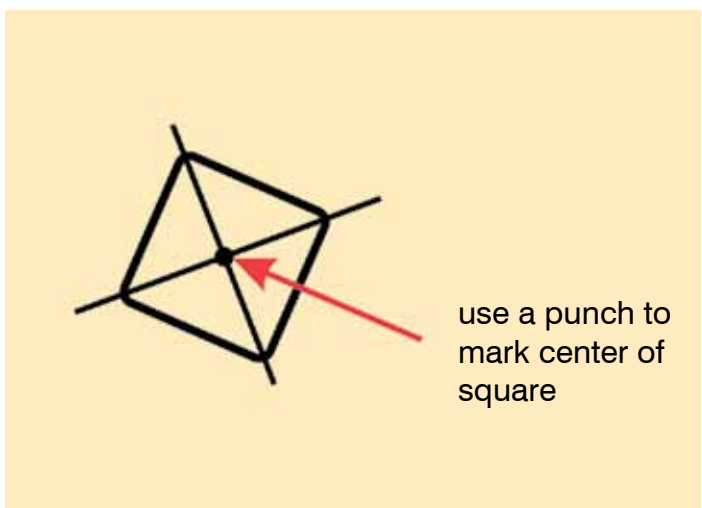


STEP 2

While maintaining the 1/4" - 1/2" gap between the bottom of the shroud and the top of the adapter, use 'soapstone'/chalk to trace the square holes of the shroud on the **outside** of the bucket.



Remove the shroud and draw diagonal 'soapstone'/chalk lines from each corner of the square.

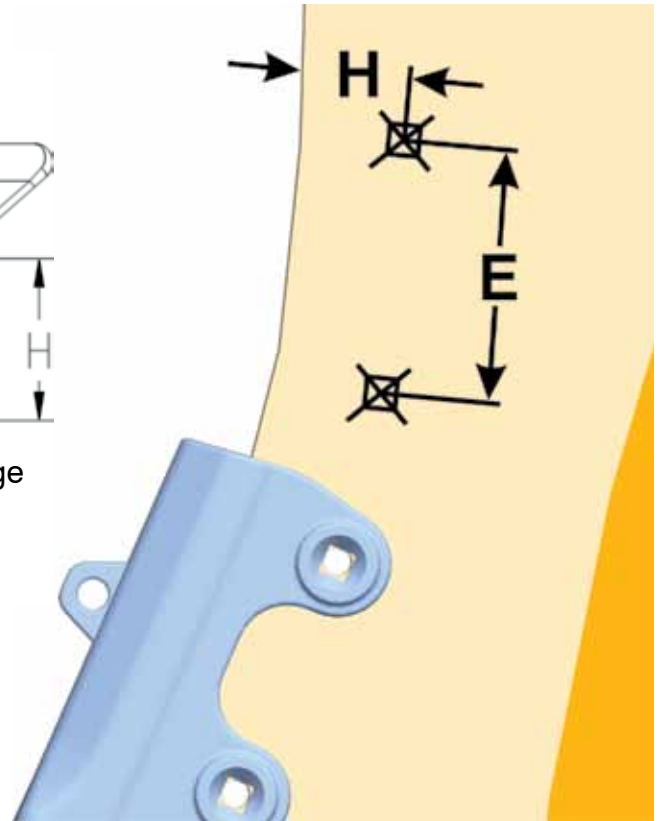
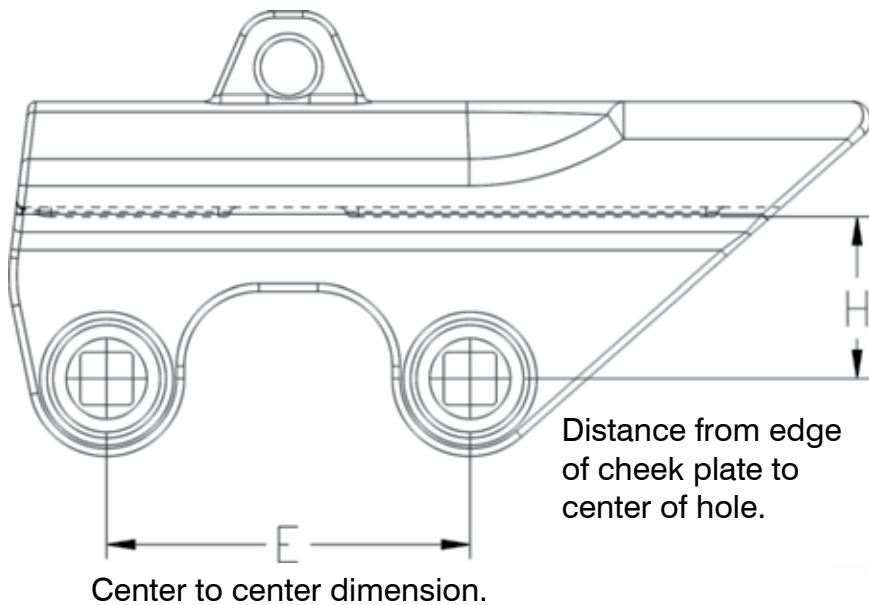


The intersection of these lines is the center of the square. Use a center punch to mark this point.

RVS Shroud Installation - continued

STEP 3

Verify the indicated dimensions (refer back to shroud dimensions table) to the center of the punched marks on the bucket.



Once the dimensions have been confirmed, at each center mark drill a 1-1/16" diameter hole using a magnetic drill. Install the proper plow bolt assembly (refer back to shroud dimensions table for this assembly). A cone nut is required for this installation. Torque to 500 ft-lb minimum and 600 ft-lb maximum.

To install the shroud for the upper position on the opposite cheek plate, repeat steps 1 - 3 of the Upper Shroud Installation.

NOV. 2013

BUCKETS & ATTACHMENTS
phone: 800-433-3144 U.S. / Canada
+1 817-477-3167 International
fax: +1 817-477-3646

HENSLEY INDUSTRIES, INC.
AN ISO 9001 & 14001 CERTIFIED COMPANY
2108 Joe Field Road • Dallas, TX 75229 U.S.A
www.hensleyind.com

G.E.T. & CUTTING EDGES
phone: 888-406-6262 U.S. / Canada
+1 972-406-6262 International
fax: 888-241-3274 U.S. / Canada
+1 972-241-3274 International