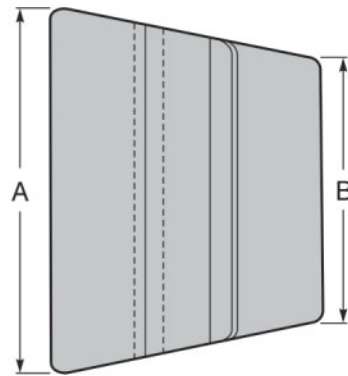
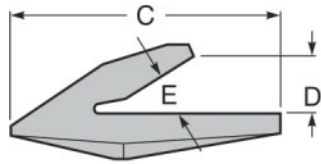


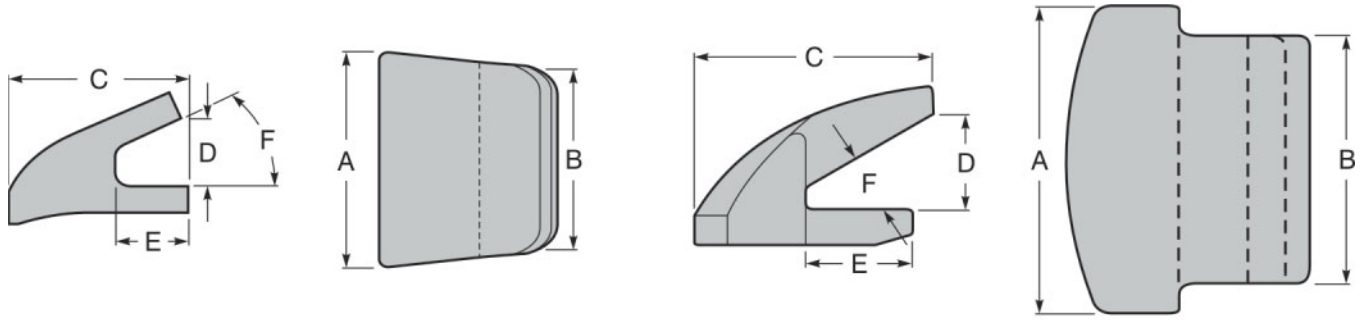
WELD-ON LIP SHROUDS FOR EXCAVATORS AND LOADERS



Type 1



Lip Thickness	Part Number	A	B	C	D	E	Weight lbs./kgs.
1-1/2 (38)	10WSHX	10 (254)	7 (178)	7-3/8 (187)	1-1/2 (38)	30°	22.6/10.3
1-3/4 (44)	13WSHX	13 (330)	10 (254)	10-1/4 (260)	1-3/4 (44)	23°	53.4/24.2
1-3/4 (44)	14WS2HX	15 (381)	12 (305)	10-1/4 (260)	1-3/4 (44)	23°	65.0/29.5
2 (51)	14WSHX	15 (381)	12 (305)	10-1/4 (260)	2-1/16 (52)	30°	65.0/29.5
2 (51)	14WS-32HX	32 (813)	32 (813)	10-1/4 (260)	1-13/16 (46)	23°	151.0/68.5
2 (51)	14WS-3230HX	32 (813)	32 (813)	10-1/4 (260)	2-1/8 (54)	30°	146.0/66.3
3-1/2 (89)	18WSHX	18 (457)	13-7/8 (352)	13-1/4 (336)	3-5/16 (84)	28°	123.5/56.1

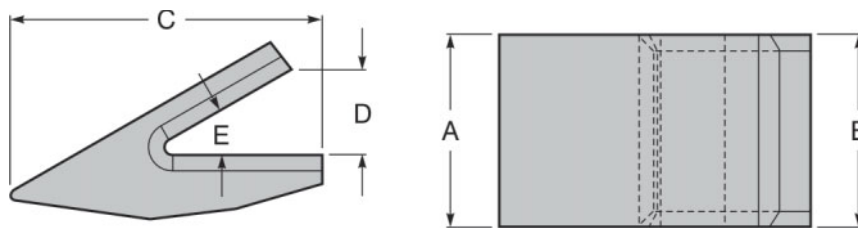


Type 2

Type 3

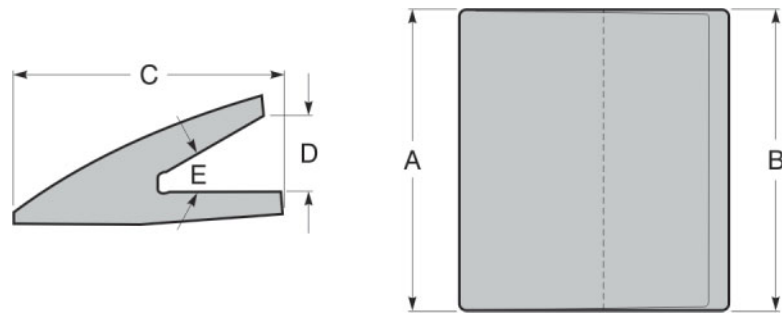
Lip Thickness	Part Number	Type	A	B	C	D	E	F	Weight lbs./kgs.
1-3/4 (44)	CD-9100-B-HX	2	5-3/8 (136)	4-1/2 (114)	4-5/16 (109)	1-1/2 (38)	1-3/4 (44)	25°	9.3/4.2
3 (76)	3000901-HX	3	10-1/4 (260)	8-3/16 (208)	8 (203)	3-1/2 (89)	3-5/8 (92)	30°	50.4/22.9
3 (76)	3000902-HX (RH)	3	11-1/8 (283)	8-3/4 (222)	7-11/16 (195)	3 (76)	3-7/8 (98)	30°	52.3/23.7
3 (76)	3000903-HX (LH)	3	11-1/8 (283)	8-3/4 (222)	7-11/16 (195)	3 (76)	3-7/8 (98)	30°	52.3/23.7
3 (76)	3000904HX	3	9 (229)	8-1/8 (206)	8 (203)	3-1/8 (80)	4-5/16 (110)	30°	46.8/21.3
4-3/4 (120)	WS90	3	9 (229)	6-11/16 (170)	9-1/4 (235)	4-7/8 (123)	5-1/2 (140)	30°	63.5/28.8
4-3/4 (120)	WS100L	3	10 (258)	6-11/16 (170)	9-1/4 (234)	4-7/8 (123)	5-1/2 (140)	30°	69.0/31.3
4-3/4 (120)	WS100R	3	10 (258)	6-11/16 (170)	9-1/4 (234)	4-7/8 (123)	5-1/2 (140)	30°	69.0/31.3
4-3/4 (120)	WS140	3	14-3/16 (360)	7 (180)	9-1/4 (235)	4-7/8 (123)	5-1/2 (140)	30°	83.5/37.9

Type 4



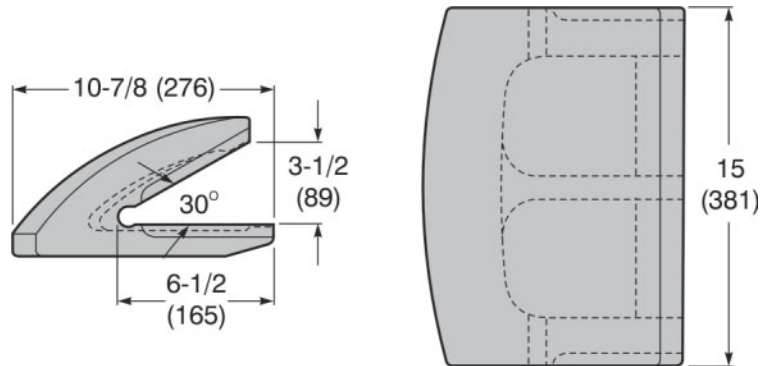
Lip Thickness	Part Number	A	B	C	D	E	Weight lbs./kgs.
2 (51)	WS-45	4-1/2 (114)	4-1/2 (114)	7-1/4 (184)	2 (51)	30°	15.5/7.0
2-3/4 (70)	WS-80	8 (203)	7 (178)	8-9/16 (217)	2-3/4 (70)	30°	34.8/15.8

Type 5



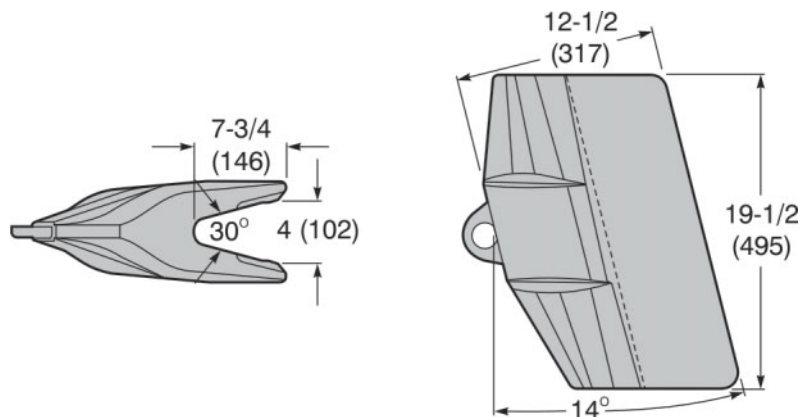
Lip Thickness	Part Number	A	B	C	D	E	Weight lbs./kgs.
1-3/4 (44)	WS-25	2-1/2 (63)	2-1/2 (63)	4-3/4 (121)	1-3/4 (44)	30°	4.4/2.0
3 (76)	B70HX	9-13/16 (249)	9-13/16 (249)	8-3/4 (222)	2-1/2 (63)	30°	46.1/20.9

Type 6



350LS15
for use on 3-1/2" (89) lips
122.0 lbs./55.4 kgs.

Type 7



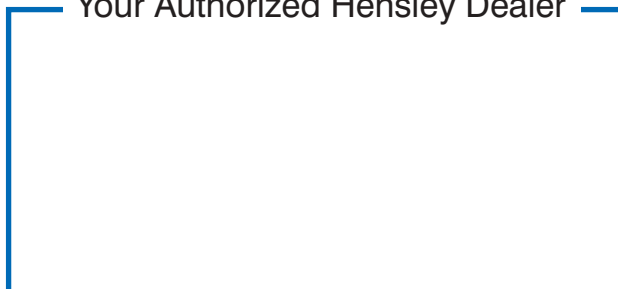
WS120-1950 (universal left or right)
for use on 4-3/4" (120) lips
203.0 lbs./92.2 kgs.

NOTES

SAFETY FIRST: Hensley recommends that you use a soft-faced hammer and ANSI-approved (Z87.1) eye protection while using our products.



Your Authorized Hensley Dealer



Hensley Industries, Inc.
2108 Joe Field Road • Dallas, Texas 75229 U.S.A.

Customer Service
(888) 406 - 6262 U.S./Canada
(972) 406 - 6262 all other locations

Hensley Attachments
A Division of Hensley Industries, Inc.
800 South Fifth • Mansfield, Texas 76063 U.S.A

(800) 433 - 3144
(817) 477 - 3167
www.hensleyind.com

Copyright © 2006 Hensley Industries, Inc.

This publication is protected under the copyright laws of the United States. Unauthorized duplication or distribution is prohibited.