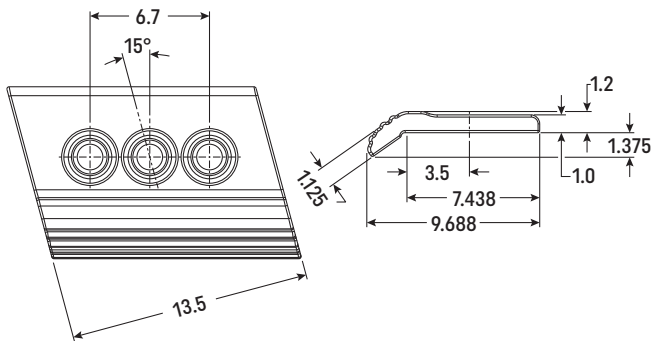
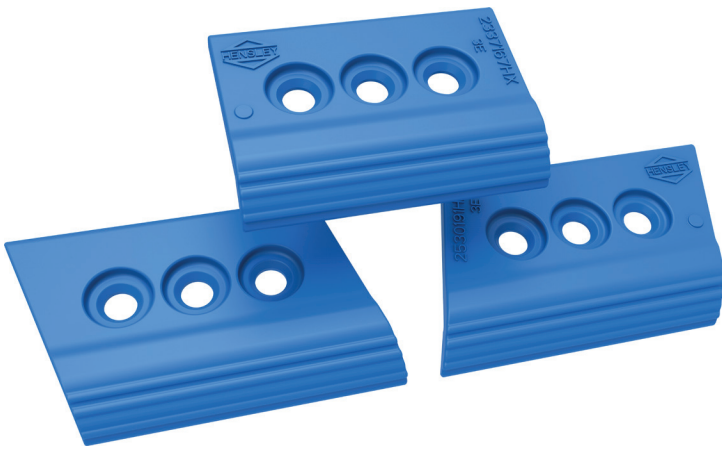




HENSLEY ANNOUNCES THE RELEASE OF THE **CAT® 988G/H TOP PLATES**

Hensley has released cast top plates for the 988G/H Caterpillar® machines.
Part # 2337167HX center, 2530191HX left hand and 2530192HX right hand



- ▷ Fits Caterpillar® 988G/H machines
- ▷ Made of Hensley's through hardened 3E alloy steel
- ▷ Long wear life
- ▷ Fits 35° bevel lip
- ▷ Goes with Hensley half arrow segments: 109908HCG, 1099081HCG and 1099082HCG
- ▷ Takes [3] AC114600TC plow bolt assemblies

HENSLEY...YOUR WEAR SOLUTIONS SPECIALIST!

For more information please contact: Dan Pizzuto - +1 972-406-4774 - dpizzuto@hensleyind.com or visit us at www.hensleyind.com

Cat® and Caterpillar® are registered trademarks of Caterpillar, Inc.

NPN30-14090 | 08/9/2017