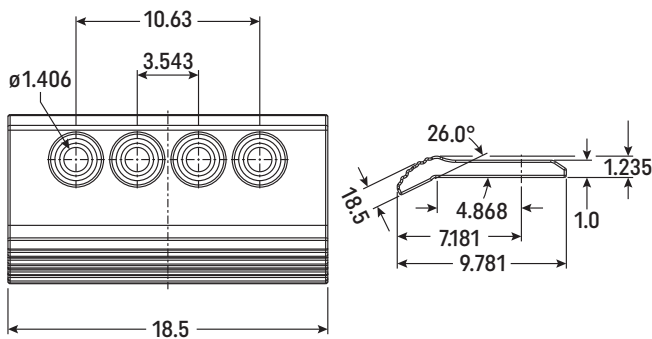




HENSLEY ANNOUNCES THE RELEASE OF THE **CAT® 990 TOP PLATES**

Hensley has released cast top plates for the 990 Caterpillar® machines.
Part # 2642096HX center, 2642098HX left hand and 2642097HX right hand.



- ▷ Fits Caterpillar® 990 machines
- ▷ Made of Hensley's through hardened 3E alloy steel
- ▷ Long wear life
- ▷ Fits 26° bevel lip
- ▷ Goes with Hensley half arrow segments: 2642090HX, 2642091HX and 2642092HX
- ▷ Takes [4] AC114700TC plow bolt assemblies

HENSLEY...YOUR WEAR SOLUTIONS SPECIALIST!