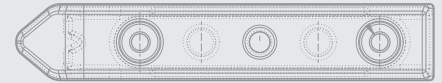




# PRODUCT NEWS

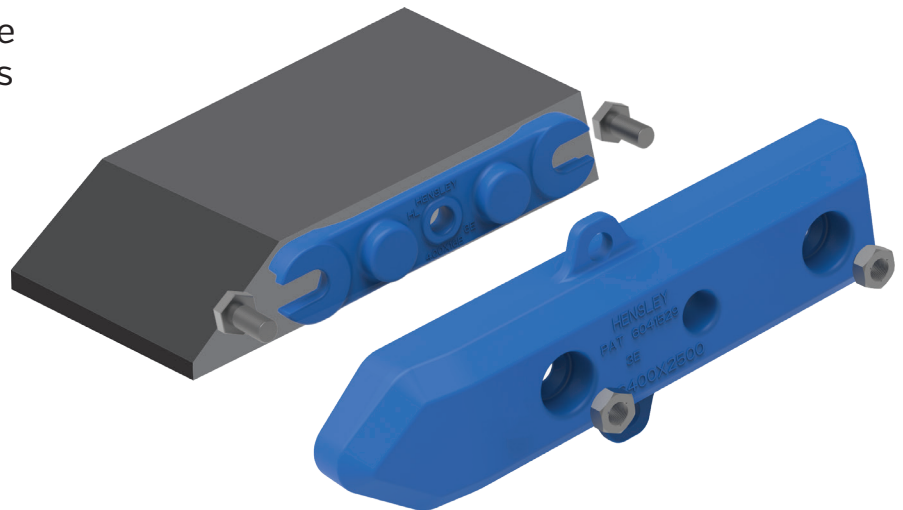
## MACHINE TYPE

- ▷ WHEEL LOADERS
  - 35 TON & LARGER
- ▷ HYDRAULIC EXCAVATORS
  - 22 TON & LARGER



# HENSLEY ANNOUNCES THE RELEASE OF BOLT-ON END CAPS

Hensley's bolt-on end caps provide protection for the exposed lip ends on wheel loaders and excavators. This mechanically attached end cap is a universal design and can be reversed from one side to the other for maximum wear life.



## SAFETY

- ▷ Mechanically attached to a weld-on base



## RELIABILITY

- ▷ Extra wear protection for the lip end
- ▷ Cast steel construction



## PRODUCTIVITY

- ▷ Helps prevent wear from getting to the corner adapters
- ▷ Universal fit cuts down on inventory needs.

Lip Size [in/mm]	Bolt-On End Cap	Bolt/Nut Assembly	Weld-On Base
1.75 45	BEC175X1550	58125BCRNF (x2)	175X10B
2.00 50	BEC200X1700	58125BCRNF (x2)	200X12B
2.50 60	BEC250X2050	115BLN (x2)	250X14B
3.00 80	BEC300X2000	12BLN (x2)	300X12B
3.50 90	BEC350X2150	12BLN (x2)	350X14B
4.00 100	BEC400X2500	12BLN (x2)	400X16B
4.75 120	BEC475X2700	12BLN (x2)	400X16B

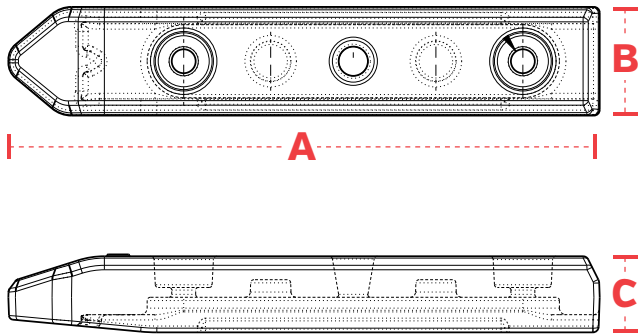
**HENSLEY...YOUR WEAR SOLUTIONS SPECIALIST!**

For more information please contact your Hensley Regional Sales Manager or visit us at [www.hensleyind.com](http://www.hensleyind.com)

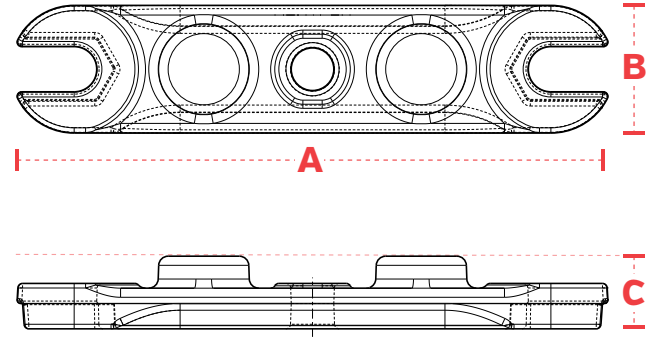
# BOLT-ON END CAPS



## BOLT-ON END CAP



## BOLT-ON WELD BASE



Lip Size [in/mm]	Bolt-On End Cap Part #	A [in/mm]	B [in/mm]	C [in/mm]	Weight Each [lb/kg]	Bolt-On Weld Base Part #	A [in/mm]	B [in/mm]	C [in/mm]	Weight Each [lb/kg]	Bolt/Nut Assembly	Torque
1.75 45	BEC175X1550	15.50 393.7	2.88 73.2	2.19 55.6	16.6 7.5	175X10B	9.67 245.6	1.70 43.2	0.98 24.9	2.2 1.0	58125BCRNF (x2)	190 ± 30 lb.ft 258 ± 41 N.m
2.00 50	BEC200X1700	17.00 431.8	3.13 79.5	2.19 55.6	19.8 9.0	200X12B	11.46 291.1	1.95 49.5	0.98 24.9	2.9 1.3	58125BCRNF (x2)	190 ± 30 lb.ft 258 ± 41 N.m
2.50 60	BEC250X2050	20.31 515.9	3.88 98.6	2.69 68.3	34.4 15.6	250X14B	13.66 347.0	2.46 62.3	1.45 36.9	6.7 3.0	115BLN (x2)	680 ± 90 lb.ft 922 ± 122 N.m
3.00 80	BEC300X2000	20.00 508.0	4.63 117.6	3.19 81.0	51.5 23.4	300X12B	12.23 310.6	2.86 72.6	1.66 42.2	7.7 3.5	12BLN (x2)	680 ± 90 lb.ft 922 ± 122 N.m
3.50 90	BEC350X2150	21.50 546.1	5.25 133.4	3.43 87.1	66.9 30.3	350X14B	13.57 344.7	2.95 74.9	1.86 47.2	10.5 4.8	12BLN (x2)	680 ± 90 lb.ft 922 ± 122 N.m
4.00 100	BEC400X2500	25.00 609.6	6.00 152.4	3.58 90.9	91.0 41.3	400X16B	15.63 397.0	3.38 85.9	1.92 48.8	14.2 6.4	12BLN (x2)	680 ± 90 lb.ft 922 ± 122 N.m
4.75 120	BEC475X2700	27.00 685.8	4.85 123.2	3.58 90.9	112.0 50.8	400X16B	15.63 397.0	3.38 85.9	1.92 48.8	14.2 6.4	12BLN (x2)	680 ± 90 lb.ft 922 ± 122 N.m

**HENSLEY...YOUR WEAR SOLUTIONS SPECIALIST!**

For more information please contact your Hensley Regional Sales Manager or visit us at [www.hensleyind.com](http://www.hensleyind.com)